

4

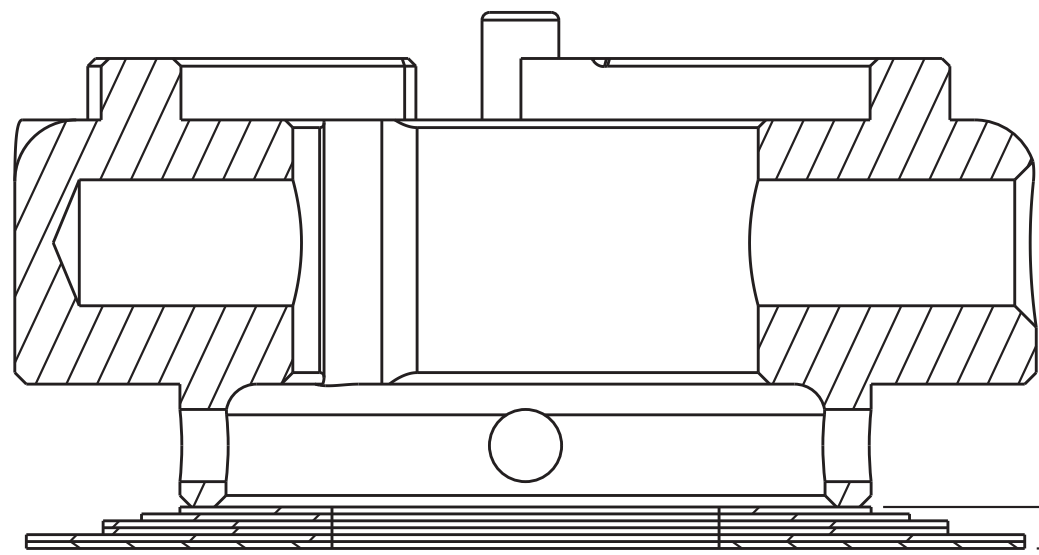
3

2

1

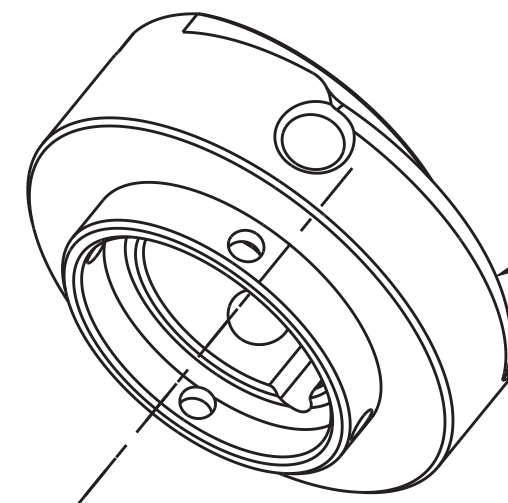
— PROPRIETARY —

THIS DOCUMENT CONTAINS CONFIDENTIAL, PROPRIETARY INFORMATION THAT IS FOX PROPERTY. DO NOT DISCLOSE TO OR DUPLICATE FOR OTHERS EXCEPT AS AUTHORIZED BY FOX.

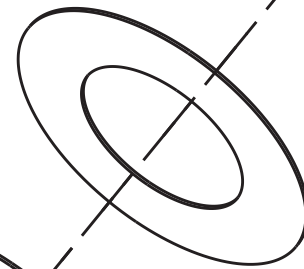


SECTION A-A  
SCALE 8:1

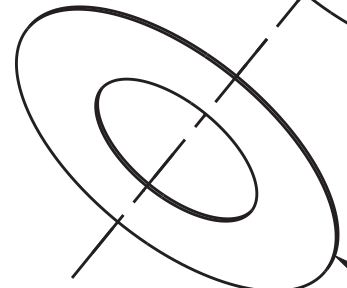
.027  
VALVE STACK HEIGHT



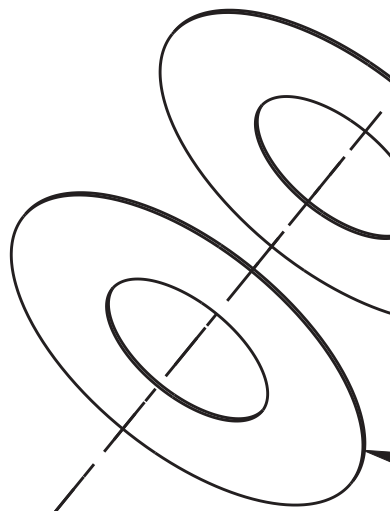
Plate, VVC, Rebound, GripX2, 0.450in Valve



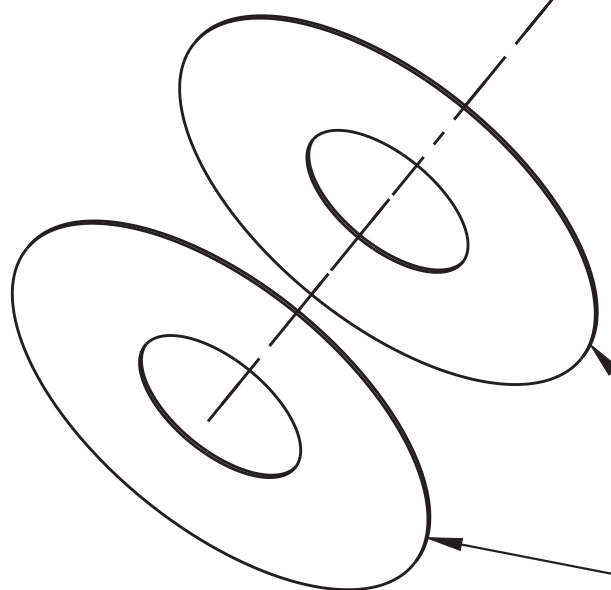
Valve: [0.450 OD x 0.252 ID x 0.0045 TH]



Valve: [0.500 OD X 0.252 ID X 0.0045 TH]



Valve: [0.550 OD X 0.252 ID X 0.0045 TH]



Valve: [0.650 OD X 0.252 ID X 0.0045 TH]

NOTES (UNLESS OTHERWISE SPECIFIED):

1. ASSY TO BE CLEAN AND FREE OF ANY AND ALL DEBRIS



**FOX Factory, Inc.**  
2055 Sugarloaf Circle, Suite 300  
Duluth, Ga 30097 USA Phone 800-369-7469

TITLE		Valve Stack Assy: 2025 Grip X2, Rebound Valving, MED+	
SIZE	DWG. NO.	REV	
C	820-03-778-KIT		
PLOT SCALE: 4:1		SHEET: 1 OF 1	

4

3

2

1