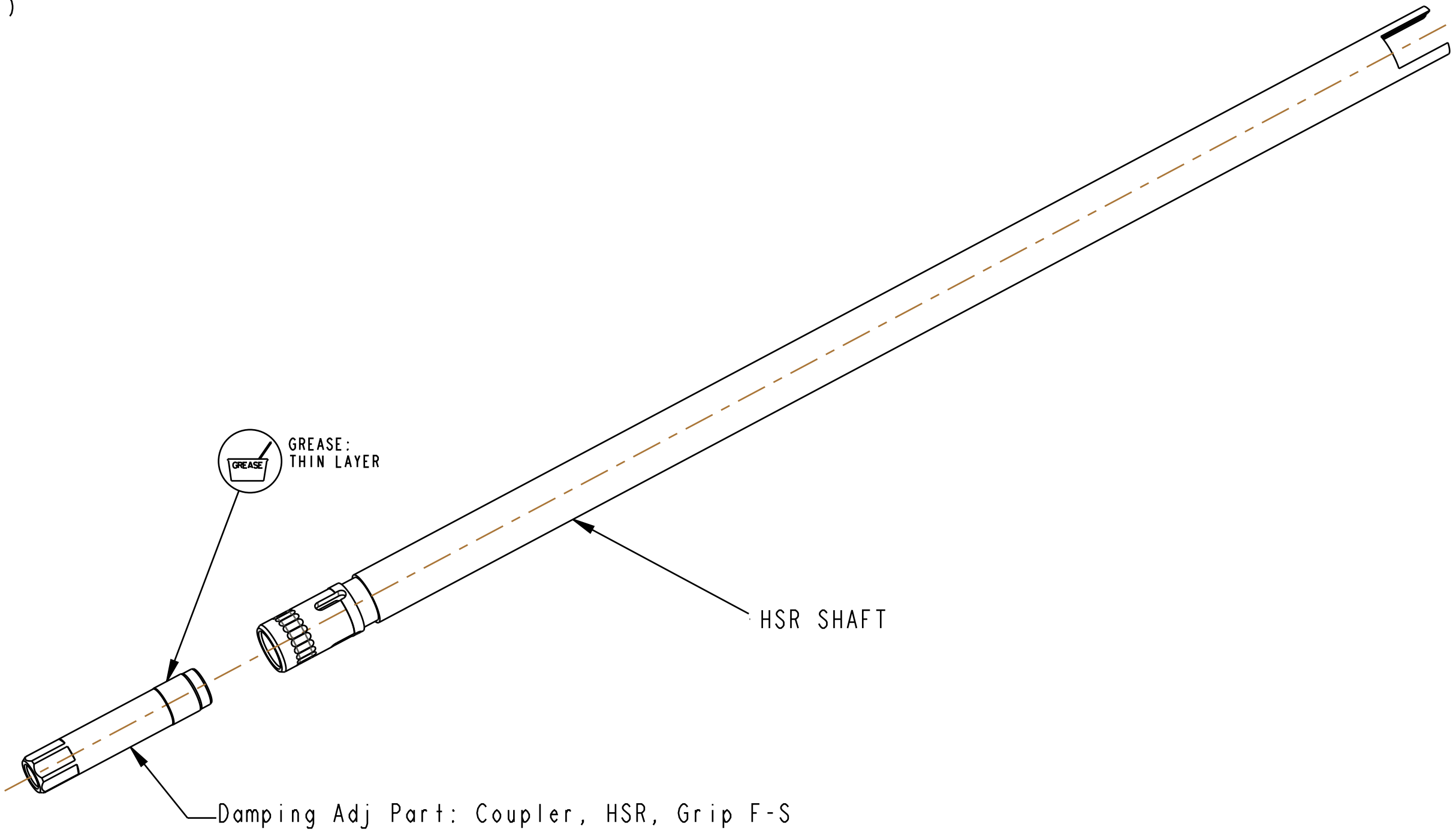
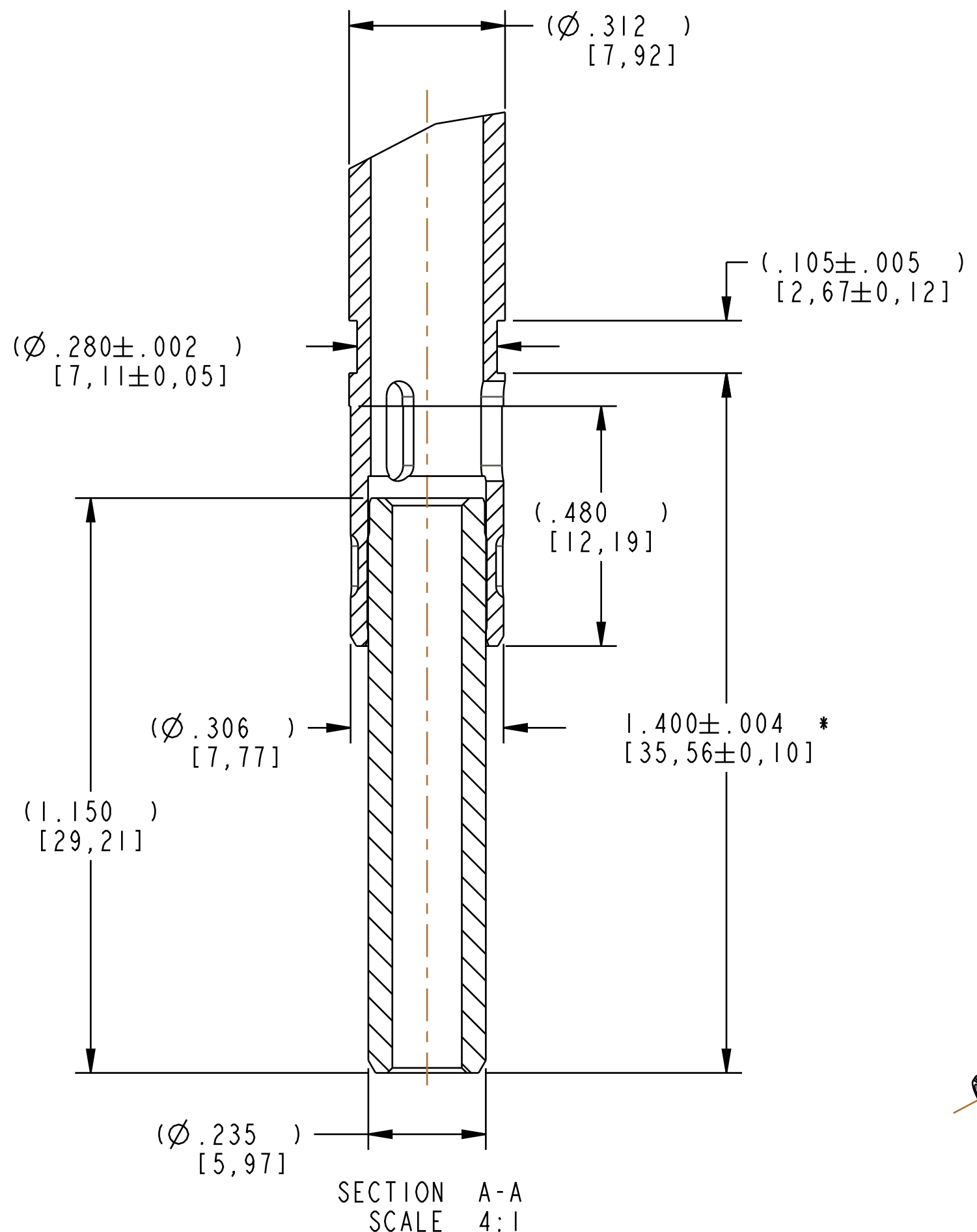


4

3

2

1



PROPRIETARY
THIS DOCUMENT CONTAINS CONFIDENTIAL, PROPRIETARY INFORMATION
THAT IS FOX PROPERTY. DO NOT DISCLOSE TO OR DUPLICATE
FOR OTHERS EXCEPT AS AUTHORIZED BY FOX.

		FOX Factory, Inc.	Ph 831-768-1100
		130 Hangar Way, Watsonville, CA 95076 USA	Fax 831-768-9312
TITLE	2019 40 203, Grip2 HSR, 2-Piece Damper Shaft Assy		
SIZE	DWG. NO.	820-03-572-KIT	
C	PLOT SCALE 1.5:1		SHEET 1 OF 1

4

3

2

1