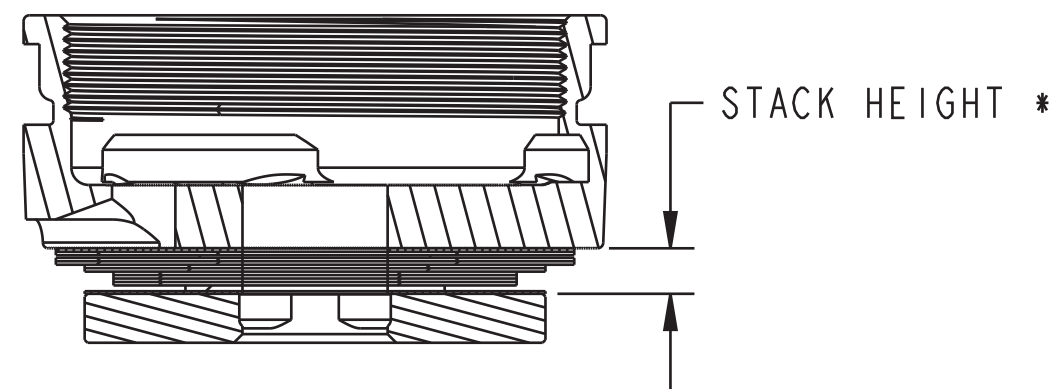


4

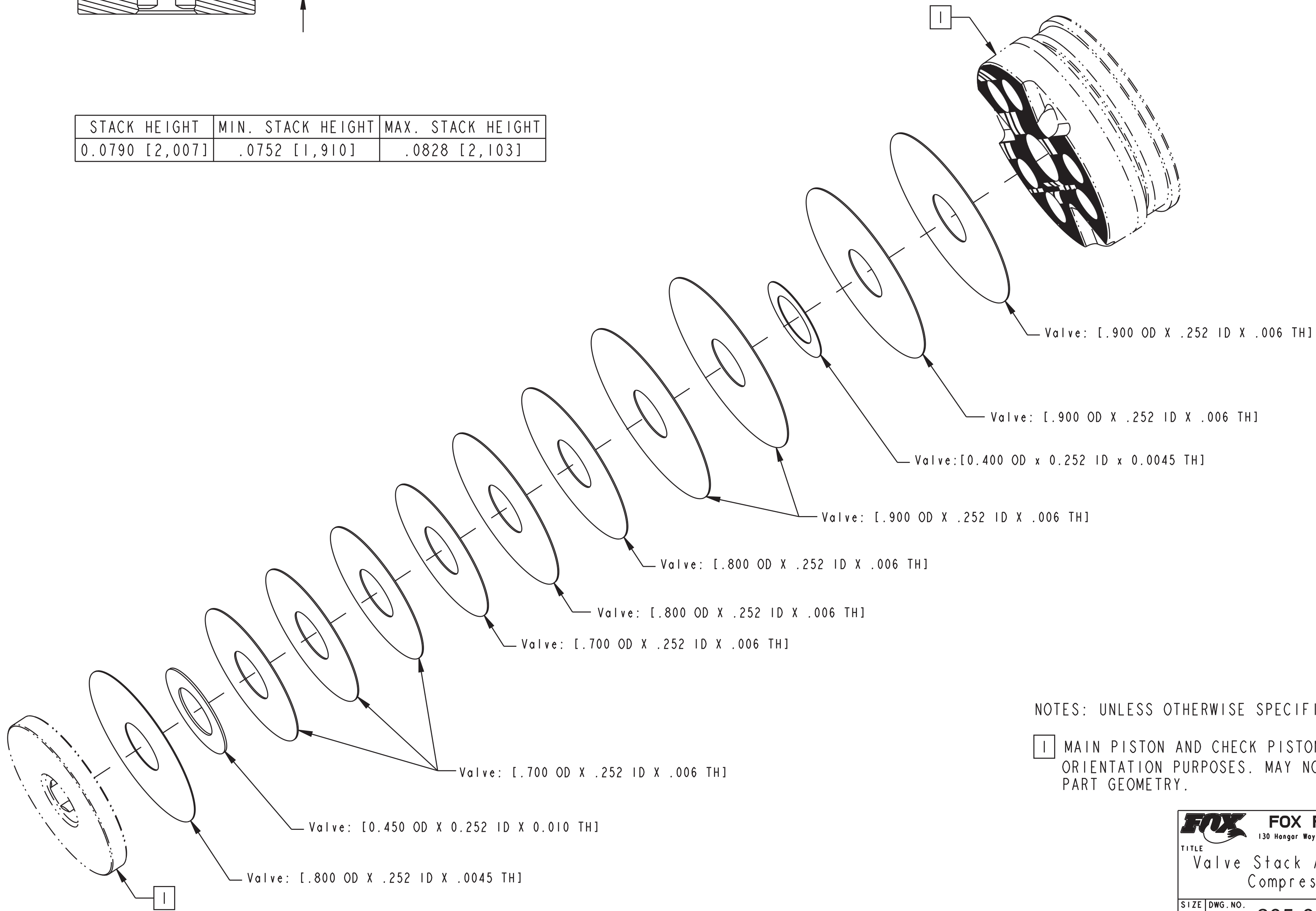
3

2

1



STACK HEIGHT	MIN. STACK HEIGHT	MAX. STACK HEIGHT
0.0790 [2,007]	.0752 [1,910]	.0828 [2,103]



NOTES: UNLESS OTHERWISE SPECIFIED

1 MAIN PISTON AND CHECK PISTON ARE SHOWN FOR ORIENTATION PURPOSES. MAY NOT REPRESENT ACTUAL PART GEOMETRY.

- PROPRIETARY -
THIS DOCUMENT CONTAINS CONFIDENTIAL, PROPRIETARY INFORMATION
THAT IS FOX PROPERTY. DO NOT DISCLOSE TO OR DUPLICATE
FOR OTHERS EXCEPT AS AUTHORIZED BY FOX.

FOX	FOX Factory, Inc.	Ph 831-768-1100
	130 Hangar Way, Watsonville, CA 95076 USA	Fax 831-768-9312
TITLE	Valve Stack Assy: 2024 FLOAT, Compression, SSC003	
SIZE DWG. NO.	C 805-05-708-KIT	
PLOT SCALE	3:1	SHEET 1 OF 1

4

3

2

1