

4

3

2

1

Fastener, Custom (Metric): Set Screw, Dog Point, Radius, [M3 X .5mm, 9mm TLG], S

TORQUE:
TO CAM SHAFT
THEN CCW 1/4 TURN

010-00-005
Air Valve Parts: Core, Eaton, Low pressure

010-00-057
Air Valve Parts: Cap, Air Valve [.305-32], Black, 6061

019-01-140
Fastener: Custom (Metric): Socket Set Screw
[M4 x .7mm x 3mm], SST, Patchlock

TORQUE:
6±1 IN.LB.

GREASE:
CLUMP LEVEL
OF HI TEMP BLUE

EYELET

Spring: [0.190 TLG X 0.120 OD X 25.6 lbs/in] 17-7 SS, left hand wound

039-00-264

GREASE:
CLUMP LEVEL
OF HI TEMP BLUE

Seals: O-Ring [8mm ID X 1.5mm CS] Metric, N-70, Static

010-01-000
Ball [Ø 0.1250] Steel

GREASE:
THIN LAYER
OF SLICK HONEY

019-01-018
Socket Set Dog Point [M3 x .5mm x 6mm]

210-30-153
Cam: CD Adj, 2023 Float DPS, 3-Pos

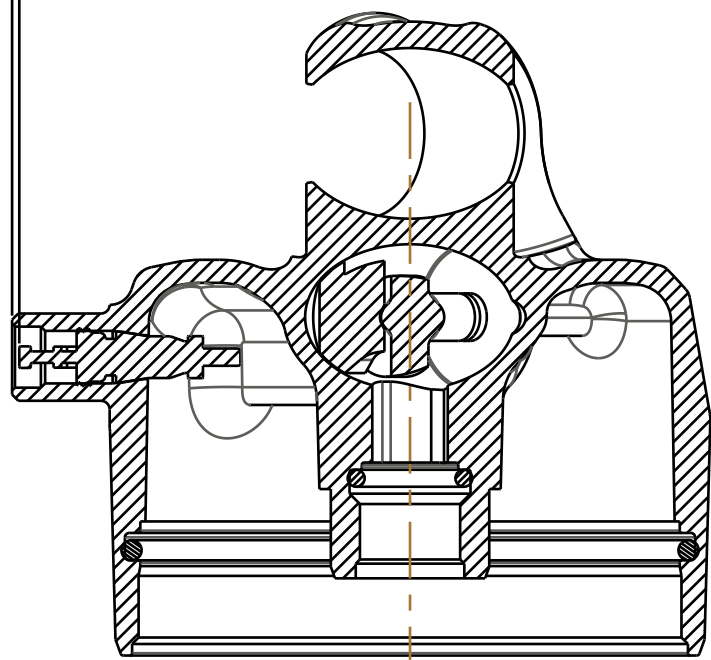
Seals: O-Ring [(-032) .070 C.S. X 1.864 ID] Standard N674-70, Dynamic

.010-.040 *
[0,26-1,01]
VALVE CORE DEPTH
100% INSPECT WITH
GO/NO-GO GAGE

210-30-180
Damp Adj Part: Knob, RD Adj, 2023 FLOAT, 3-Pos

TORQUE:
5±1 IN-LB

210-26-003
Damp Adj Part: Lever, CD, 2023 Float DPS, 3-Pos



SECTION B-B

- PROPRIETARY -
THIS DOCUMENT CONTAINS CONFIDENTIAL, PROPRIETARY INFORMATION
THAT IS FOX PROPERTY. DO NOT DISCLOSE TO OR DUPLICATE
FOR OTHERS EXCEPT AS AUTHORIZED BY FOX.

FOX FOX Factory, Inc.
Eyelet Assy: 2024, Float, 2pos, LV
 SIZE DWG. NO. 808-17-482-KIT
 C PLOT SCALE 1.5:1 SHEET 1 OF 1