

Fastener, Custom (Metric): Set Screw, Dog Point, Radius, [M3 X .5mm, 9mm TLG], S

019-02-042

TORQUE:
TO CAM SHAFT
THEN CCW 3/8 TURN

GREASE:
CLUMP LEVEL
OF HI TEMP BLUE

210-26-197
Gear, Detent, Rebound 2024 Float, Gen2

010-00-005
Air Valve Parts: Core, Eaton, Low pressure

010-00-057
Air Valve Parts: Cap, Air Valve [L.305-32], Black, 6061

039-00-228
Spring: Detent, 2013 CTD [L.190 TLG, .088 ID, 40 lb/in] 17-7 SS

010-01-000
Ball [Ø 0.1250] Steel

210-26-200
Cam: (T) RD Adj, 2024 Float, 2Pos-Adj, Non Remote, Gen2

038-00-096
Retaining Ring: External, .250 Shaft, Smalley, 2 Turn, 302 SS

210-22-625
Shim: Spring Retainer 2013 CTD (.250 ID x .370 OD x .035 TH), SS

039-00-244
Spring: Barrel Wound [9 lb/in, .027 wire, .220 Free Lg] 302 SS

010-01-000
Ball [Ø 0.1250] Steel

GREASE:
CLUMP LEVEL
OF HI TEMP BLUE

019-01-140
Fastener: Custom (Metric): Socket Set
Screw [M4 x .7mm x 3mm], SST, Patchlock

TORQUE:
6±1 IN-LB
THEN BACK OFF 1 TURN

039-00-264
Spring: [0.190 TLG X 0.120 OD X 25.6 lbs/in] 17-7 SS, left hand wound

EYELET

GREASE:
CLUMP LEVEL
OF HI TEMP BLUE

Seals: O-Ring [8mm ID X 1.5mm CS] Metric, N-70, Static

GREASE:
THIN LAYER
OF SLICK HONEY
OF O-RING

Seals: O-Ring [(-032) .070 C.S. X 1.864 ID] Standard N674-70, Dynamic

.010 - .040 *
[0,26 - 1,01]
VALVE CORE DEPTH
100% INSPECT WITH
GO/NO-GO GAGE

210-30-228
Cam: CD Adj, 2024 Float, 2Pos-Adj

GREASE:
CLUMP LEVEL
OF HI TEMP BLUE

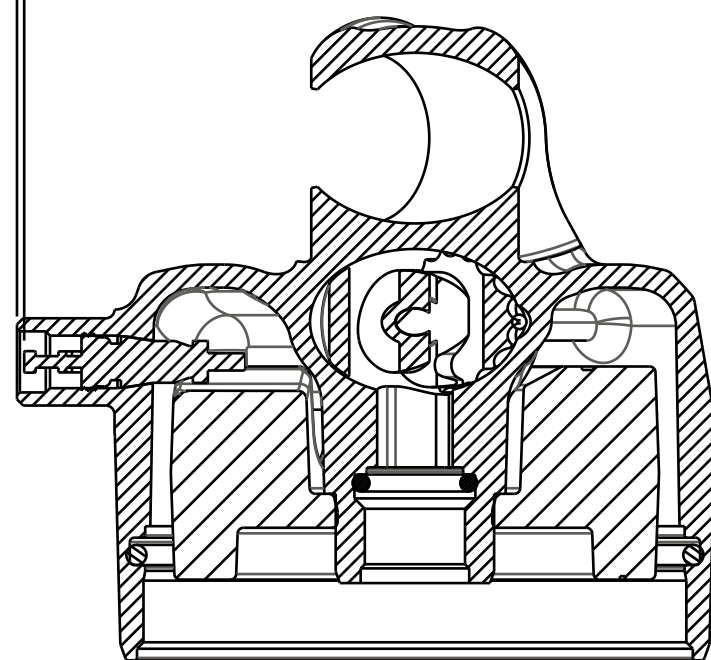
210-24-957
Lever: 2Pos-Adj, 2024 Float LV

210-24-956
Knob: CD Adj, 2024 Float LV, F-S

019-01-006
Fastener, Standard (Metric): Screw [M3 x 4mm] SS Socket Set Cone Point

TORQUE:
5±1 IN-LB

210-26-211
Rebound Knob: 2024 Float



SECTION B-B

PROPRIETARY -
THIS DOCUMENT CONTAINS CONFIDENTIAL, PROPRIETARY INFORMATION
THAT IS FOX PROPERTY. DO NOT DISCLOSE TO OR DUPLICATE
FOR OTHERS EXCEPT AS AUTHORIZED BY FOX.

FOX FOX Factory, Inc.
 Eyelet Assy: 2024, Float,
 2pos-Adj, LV, Standard
 808-17-478-KIT
 SIZE DWG. NO. C
 PLOT SCALE 1.5:1 SHEET 1 OF 1