

4

3

2

1

D

D

C

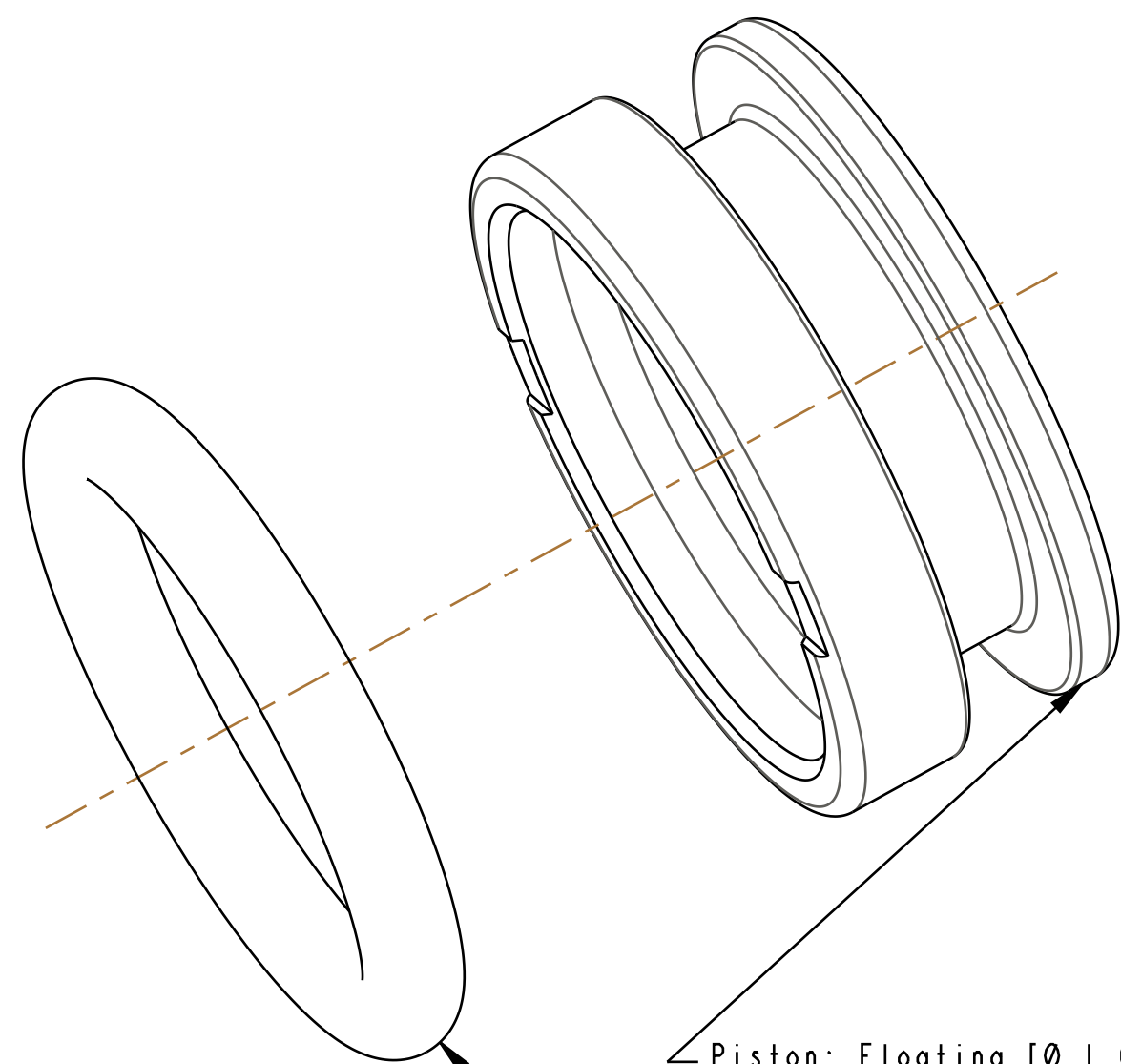
C

B

B

A

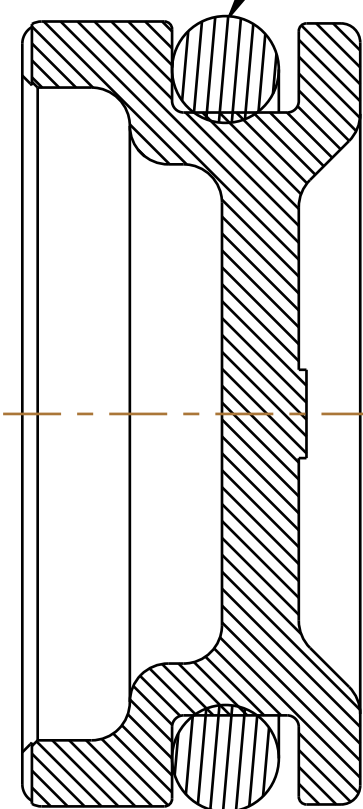
A



Piston: Floating [\emptyset 1.026 Bore], [.125w X .012d] Slotted, Acetron GP

Seals: O-Ring Custom: [.139 C.S. X .758 ID] N-70, Dynamic

OIL:
20WT GOLD
THIN LEVEL



SECTION A-A

- PROPRIETARY -
THIS DOCUMENT CONTAINS CONFIDENTIAL, PROPRIETARY INFORMATION
THAT IS FOX PROPERTY. DO NOT DISCLOSE TO OR DUPLICATE
FOR OTHERS EXCEPT AS AUTHORIZED BY FOX.

FOX **FOX Factory, Inc.** Ph 831-768-1100
130 Hangar Way, Watsonville, CA 95076 USA Fax 831-768-9312

TITLE
Piston Assembly: Floating,
Slotted [\emptyset 1.026 Bore, 0.440 TLG]

SIZE DWG. NO. **C** 805-00-129-KIT

PLOT SCALE 4:1 SHEET 1 OF 1

4

3

2

1