

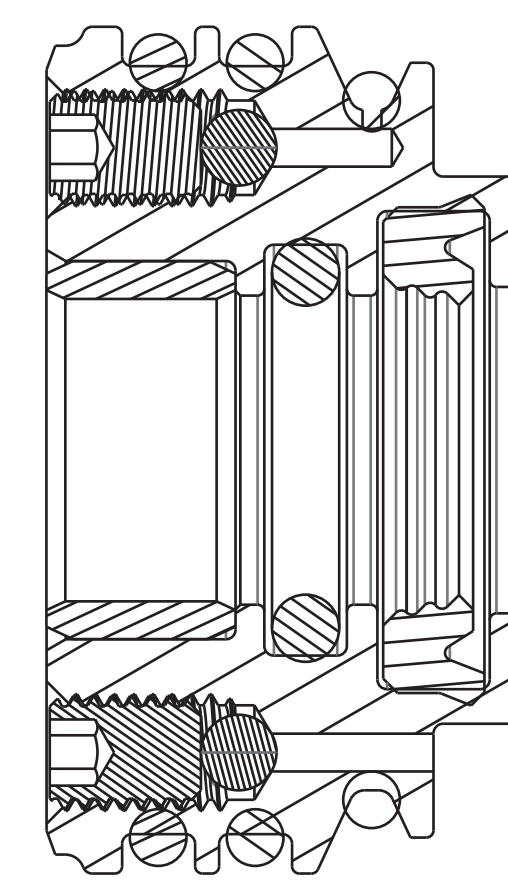
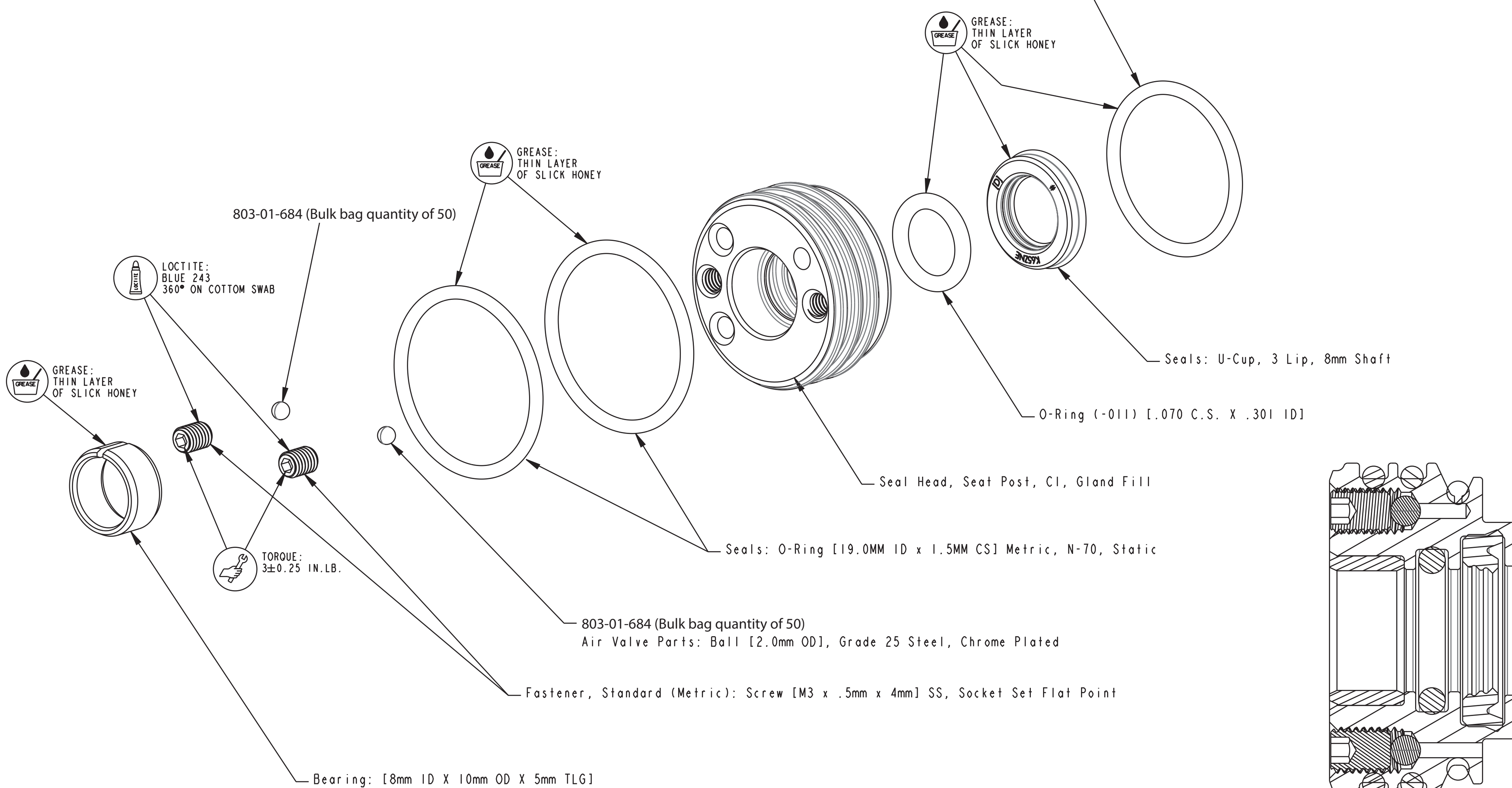
4

3

2

1

Seals: O-Ring [17MM ID x 1.5MM CS] Metric, N-70, Static



FOX FOX Factory, Inc.		Ph 831-768-1100
130 Hangar Way, Watsonville, CA 95076 USA		Fax 831-768-9312
TITLE 2021 Transfer, Seal Head Assy, CI		
SIZE C	DWG. NO. 825-03-016-KIT	
PLOT SCALE 3:1		SHEET 1 OF 1

- PROPRIETARY -
THIS DOCUMENT CONTAINS CONFIDENTIAL, PROPRIETARY INFORMATION
THAT IS FOX PROPERTY. DO NOT DISCLOSE TO OR DUPLICATE
FOR OTHERS EXCEPT AS AUTHORIZED BY FOX.

4

3

2

1