

4

3

2

1

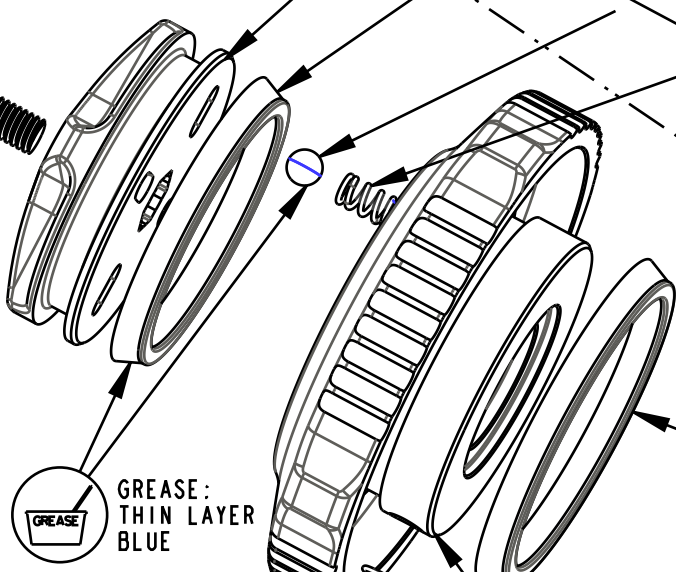
Damping Adj Part: Selector, LSC, Grip F-S

Seals: U-Cup, Shore 70A, 2013 CTD-ADJ, Remote Fit-CTD and Remote O/C-CTD

Air Valve Parts: Ball [Ø 0.0938]  
52100 Grade 25 Steel, Chrome

Spring: Detent [.138 TLG, .087 OD, 48 lb/in]

TORQUE:  
4.0±1.0 in-lb



GREASE:  
THIN LAYER  
BLUE

GREASE:  
THIN LAYER  
BLUE

Fastener, Standard: Screw [#8-32 X 0.250  
TLG] 303 SS, Socket Set Half Dog Point

TORQUE:  
8.0±0.5 in-lb

Fastener Standard (Metric):  
Screw [M2.5 X 6mm] Socket  
Head Cap, Steel, Black

Seals: U-Cup, Shore 70A, 2013 Fit-CTD and CTD-ADJ

Damping Adj Part: Knob, HSC, Grip F-S

Spring: Detent [.138 TLG, .087 OD, 48 lb/in]

Air Valve Parts: Ball [Ø 0.0938]  
52100 Grade 25 Steel, Chrome

GREASE:  
THIN LAYER  
BLUE

820-05-669-KIT  
2021 Grip2 VVC HSC / LSC Topcap Interface Parts

TORQUE:  
110±5 in-lb

LOCTITE:  
BLUE 243  
ONE DROP

Fastener, Custom: Crush Washer, Plastic, 13mm

Fastener, Custom: Nut, Bottom, 011

Seals: O-Ring [15mm ID x 1.5mm CS] Metric, N-70, Static

Knob, Rebound, Grip F-S, HSR

Spring, Wave, .500 Bore, .390 Shaft, .05 Work Height, SS

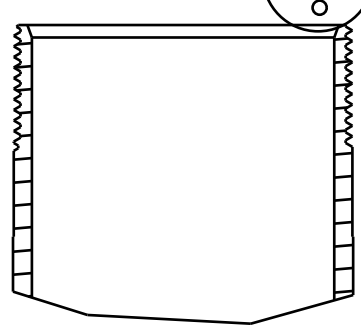
Knob, Rebound, Grip F-S, LSR

Fastener, Custom: Cover, Nut, Rhythm 36

820-05-501-KIT

2019 Grip2 HSR / LSR Bottom Stud Interface Parts

IMPORTANT:  
TOPCAP TO BE CLEAN



**FOX** FOX Factory, Inc. Ph 831-768-1100  
130 Hangar Way, Watsonville, CA 95076 USA Fax 831-768-9312

TITLE  
2021 38 180, Grip2 VVC HSR / LSR /  
HSC/ LSC Cart Assy Complete E-Bike Tune

SIZE DWG. NO.  
**C** 820-18-417-KIT

PLOT SCALE 1:1.333 SHEET 1 OF 1

- PROPRIETARY -  
THIS DOCUMENT CONTAINS CONFIDENTIAL, PROPRIETARY INFORMATION  
THAT IS FOX PROPERTY. DO NOT DISCLOSE TO OR DUPLICATE  
FOR OTHERS EXCEPT AS AUTHORIZED BY FOX.

4

3

2

ProE ASSEM