

REFERENCE ONLY  
(FOR INSTALLATION  
INTO FORK)

TORQUE:  
110 ± 5  
IN-LBS

REBOUND KNOB

LOCTITE:  
BLUE 242  
ONE DROP

Fastener, Standard: Screw [#8-32 X 0.250 TLG]

TORQUE:  
5.0 ± 1.0 IN. LB.

241-00-011  
Fastener, Custom: Nut, Bottom, R

241-01-011  
Fastener, Custom: Crush Washer, Plastic, 13mm

820-05-335-KIT  
2016 FIT4 Bottom Stud Interface Parts 34

820-05-456-KIT  
2018 FIT4 TopCap Interface Parts F-S Remote, U-Cup, Push-Lock

REMOTE HOUSING

TORQUE:  
220 ± 5 IN. LB.

REFERENCE ONLY  
(FOR INSTALLATION  
INTO FORK)

GREASE:  
THIN LAYER OF  
BLUE MARINE GREASE

TORSION SPRING

Bearing, Roller, 14mm OD x 7mm ID x 3.5mm TLG

Set Screw [M4x4mm], SST, Cup Point, Patchlock

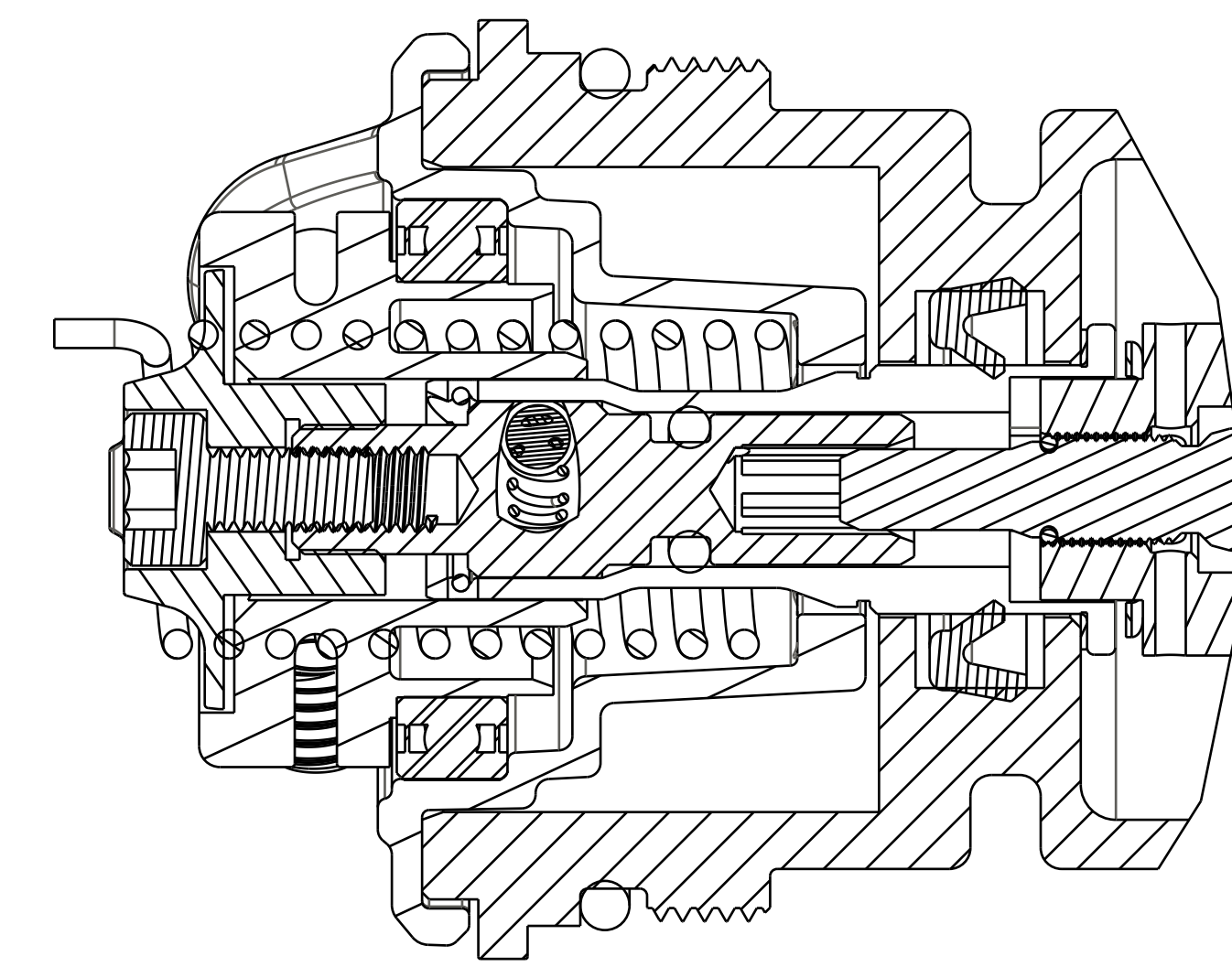
Cable Pulley, Remote, LSC, FIT4, Bearing, Thru Broached

Remote Compression Adjust Knob, F-S, FIT4

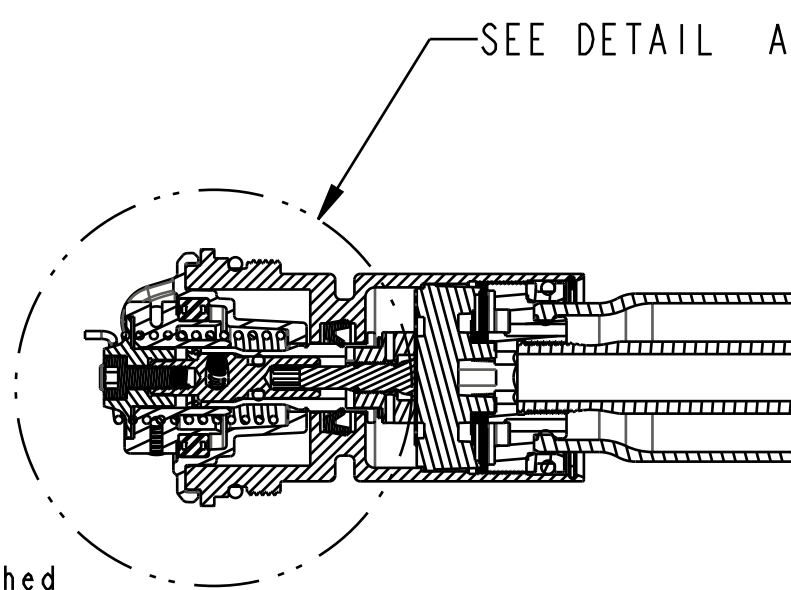
Fastener, Standard (Metric): Screw [M3 X 6mm] SHCS, Patchlock

TORQUE:  
11 ± 3 IN. LB.

IMPORTANT:  
DO NOT ALLOW PULLEY  
TO ROTATE WHILE TORQUING



DETAIL A  
SCALE 4:1



SECTION A-A

**FOX Factory, Inc.**  
130 Hangar Way, Watsonville, CA 95076 USA  
Ph 831-768-1100  
Fax 831-768-9312

TITLE  
**2022 34 NON-SC FIT4 REMOTE  
CARTRIDGE ASSEMBLIES COMPLETE**

SIZE DWG. NO.  
D

PLOT SCALE 1.00:1

SHEET 1 OF 1

PROPRIETARY  
THIS DOCUMENT CONTAINS CONFIDENTIAL, PROPRIETARY INFORMATION  
THAT IS FOR PROPERTY USE ONLY. DO NOT DISCLOSE TO OR DUPLICATE  
FOR OTHERS EXCEPT AS AUTHORIZED BY FOX.