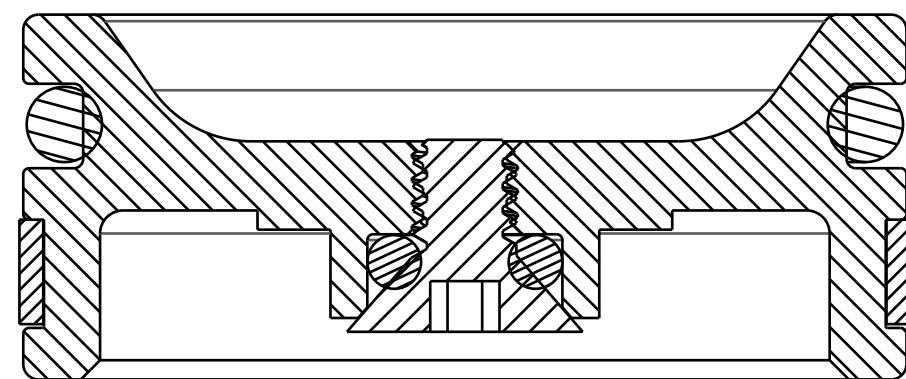


4

3

2

1



SECTION A-A

Seals: O-Ring [24MM ID x 2.5MM CS] Metric, N-70, Dynamic

! IMPORTANT:
 SIZE EXTERNAL BEARING FOR
 GOOD SLIDING FIT WITH REZI

GREASE:
 THIN LAYER
 SLICK HONEY

Piston: Floating [1.160 Bore], Bleed Screw

Bearing: External [0.136 W X 0.162 OD X 0.031 TH, Ø 0.160 Bore] PTFE, Ring

O-Ring (-006) [0.070 C.S. X .114 ID]

Screw [#6-32 X 0.250 TLG]

TORQUE:
 7±2 in-lb

GREASE:
 THIN LAYER
 SLICK HONEY

FOX **FOX Factory, Inc.** Ph 831-768-1100
 130 Hangar Way, Watsonville, CA 95076 USA Fax 831-768-9312

TITLE
 Piston Assembly: Floating [Ø 1.160
 Bore, 0.475 TLG], Bleed Screw

SIZE DWG. NO. **805-00-124-KIT**

PLOT SCALE 4:1 SHEET 1 OF 1

PROPRIETARY
 THIS DOCUMENT CONTAINS CONFIDENTIAL, PROPRIETARY INFORMATION
 THAT IS FOX PROPERTY. DO NOT DISCLOSE TO OR DUPLICATE
 FOR OTHERS EXCEPT AS AUTHORIZED BY FOX.

4

3

2

ProE ASSEM