

EYELET

241-02-109
Fastener, Custom: Set Screw, Flanged, M3, 2017 Lockout

039-00-382
Spring: Torsion, 2014-17 Dish/DPS Remote, [.0071 in-lb/deg], Unplated

210-24-056
Cable Hanger, 2017 FLOAT DPS, SV Down

019-01-129
Fastener, Standard (Metric): FHCS [M4 x .7, x 8mm] Black Zinc

210-24-150
Cam: (T) RD Adj, 2017 Float DPS, Remote, SV All and LV Up [1.435 TLG, .090 Shaft]

TORQUE:
8±2 IN.LB.

TORQUE:
25±5 IN.LB.

TORQUE:
5±1 IN.LB.

GREASE:
THIN LAYER
HIGH TEMP BLUE

019-01-134
Set Screw [M4 x .7mm x 4mm] Flat Point, Torx, Black,

210-24-054
Pulley: 2016 Nude 3 DPS-Remote

019-01-070
Set Screw [M4 x .7mm x 4mm] , SS

TORQUE:
START THREAD 2 TURNS

GREASE:
THIN LAYER
HIGH TEMP BLUE

GREASE:
THIN LAYER
HIGH TEMP BLUE

210-24-055
Rebound Knob: 2014 Scott Evolution

TORQUE:
5±1 IN.LB.

GREASE:
THIN LAYER
SLICK HONEY

TORQUE:
35±5 IN.LB.

210-30-140
Cam: CD adj, 2022 Float DPS, Remote, 3 Position, SV All and LV Up

019-01-006
Fastener, Standard (Metric): Screw [M3 x 4mm] SS Socket Set Cone Point

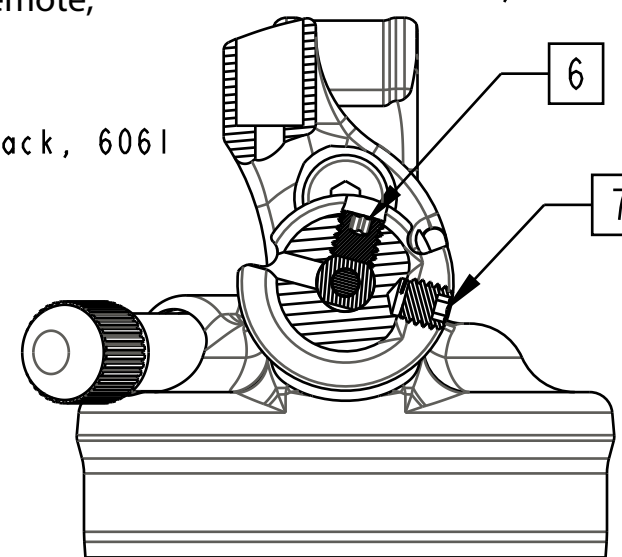
010-00-057
Air Valve Parts: Cap, Air Valve [.305-.32], Black, 6061

803-01-178
Service Set: Air Valve Part: Housing, Tank Valve, DHX2, FloatX2, 2017 DPS

EYELET O-RING

AIR VALVE O-RING

Seals: O-Ring [7.5MM ID x 1.5MM CS] Metric, N-70, Static



SECTION B-B

NOTE KNOB
ORIENTATION

- 2 NOTE PART IDENTIFICATION GROOVES FOR LV DOWN CONFIGURATIONS.
- 3 FOX LOGO AS SHOWN WHEN KNOB IN MIDDLE OF ADJUSTMENT RANGE.
- 4 PULLEY TO BE FULLY SEATED AGAINST COMPRESSION CAM FLANGE.
- 5 APPLY THIN LAYER SLICK HONEY TO INSTALL ON AIR VALVE. APPLY THIN LAYER FLOAT FLUID ON INSTALLED AIR VALVE O-RING PRIOR TO AIR VALVE INSTALLATION.
- 6 BLACK TORX SET SCREW FIXES PULLEY TO CAM.
- 7 STAINLESS HEX SET SCREW FIXES CABLE TO PULLEY.

PROPRIETARY - THIS DOCUMENT CONTAINS CONFIDENTIAL, PROPRIETARY INFORMATION THAT IS FOX PROPERTY. DO NOT DISCLOSE TO OR DUPLICATE FOR OTHERS EXCEPT AS AUTHORIZED BY FOX.

FOX FOX Factory, Inc.

Eyelet Assy: 2022, Float DPS Remote Down, 3 Position, Trunnion, SV

SIZE DWG. NO. 808-17-425-KIT
C PLOT SCALE | .50:1 | SHEET 1 OF 2