

4

3

2


1

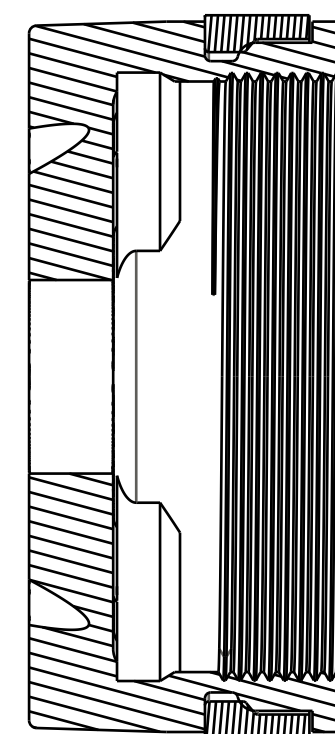
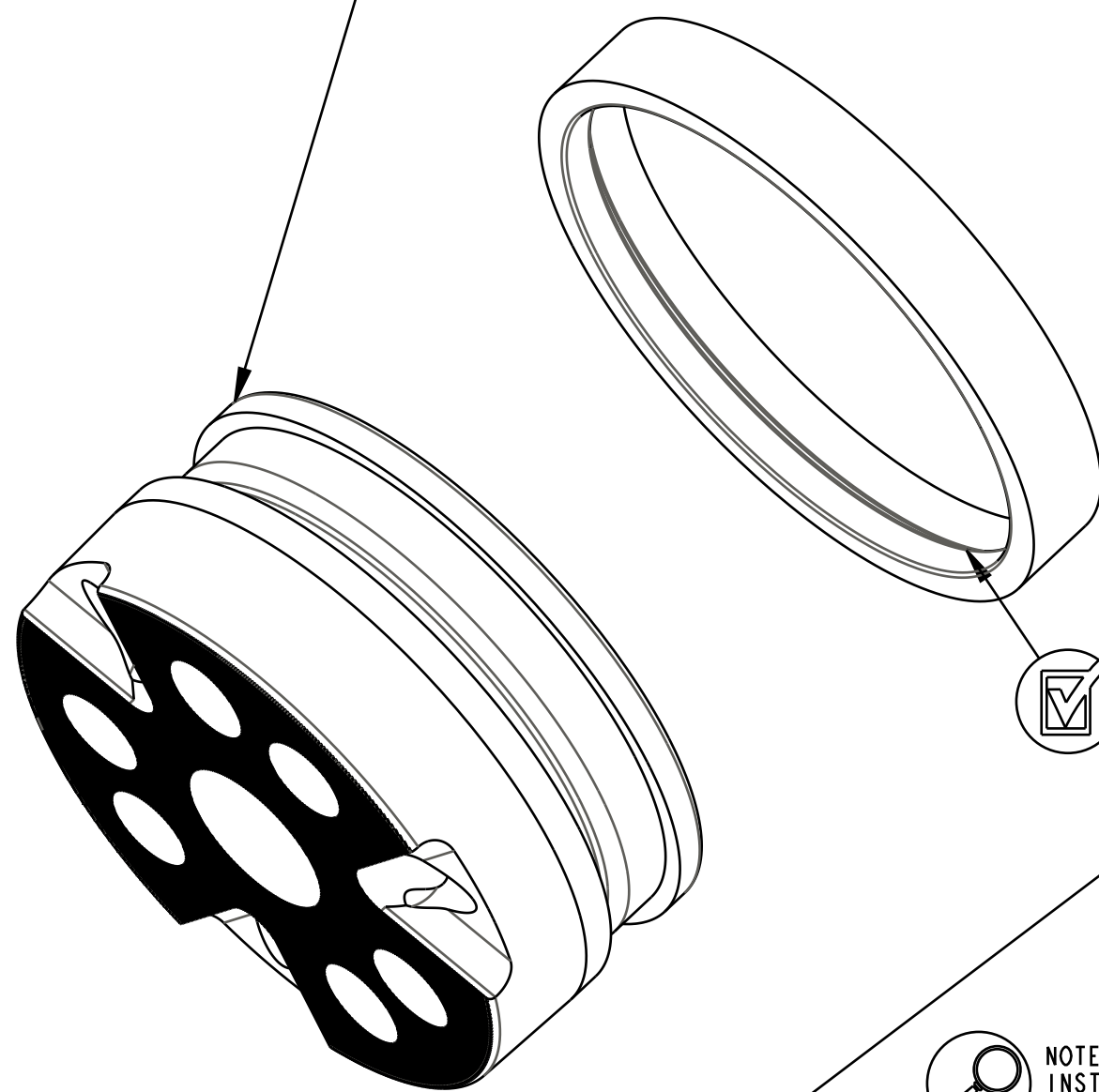
Piston: Main, 2024 Float SV [Ø 0.940 Bore, X 0.252 ID X 0.419 TLG]

Bearing: External [.136 W x .941 OD x .031 TH] W/Step

CHECK: ORIENTATION OF INNER RIB FEATURE

 NOTE: INSTALLATION DIRECTION OF 002-00-035

 NOTE: PUSH PISTON ASSEMBLY THRU SIZING BORE IN THIS ORIENTATION ONLY



SECTION A-A

**FOX** FOX Factory, Inc. Ph 831-768-1100  
130 Hangar Way, Watsonville, CA 95076 USA Fax 831-768-9312

TITLE Piston Assy: Damping,  
2024 Float SL [Ø.940 Bore]

SIZE DWG. NO. **C** 805-02-316-KIT

PLOT SCALE 4:1 SHEET 1 OF 1

- PROPRIETARY -  
THIS DOCUMENT CONTAINS CONFIDENTIAL, PROPRIETARY INFORMATION  
THAT IS FOX PROPERTY. DO NOT DISCLOSE TO OR DUPLICATE  
FOR OTHERS EXCEPT AS AUTHORIZED BY FOX.

4

3

2

1