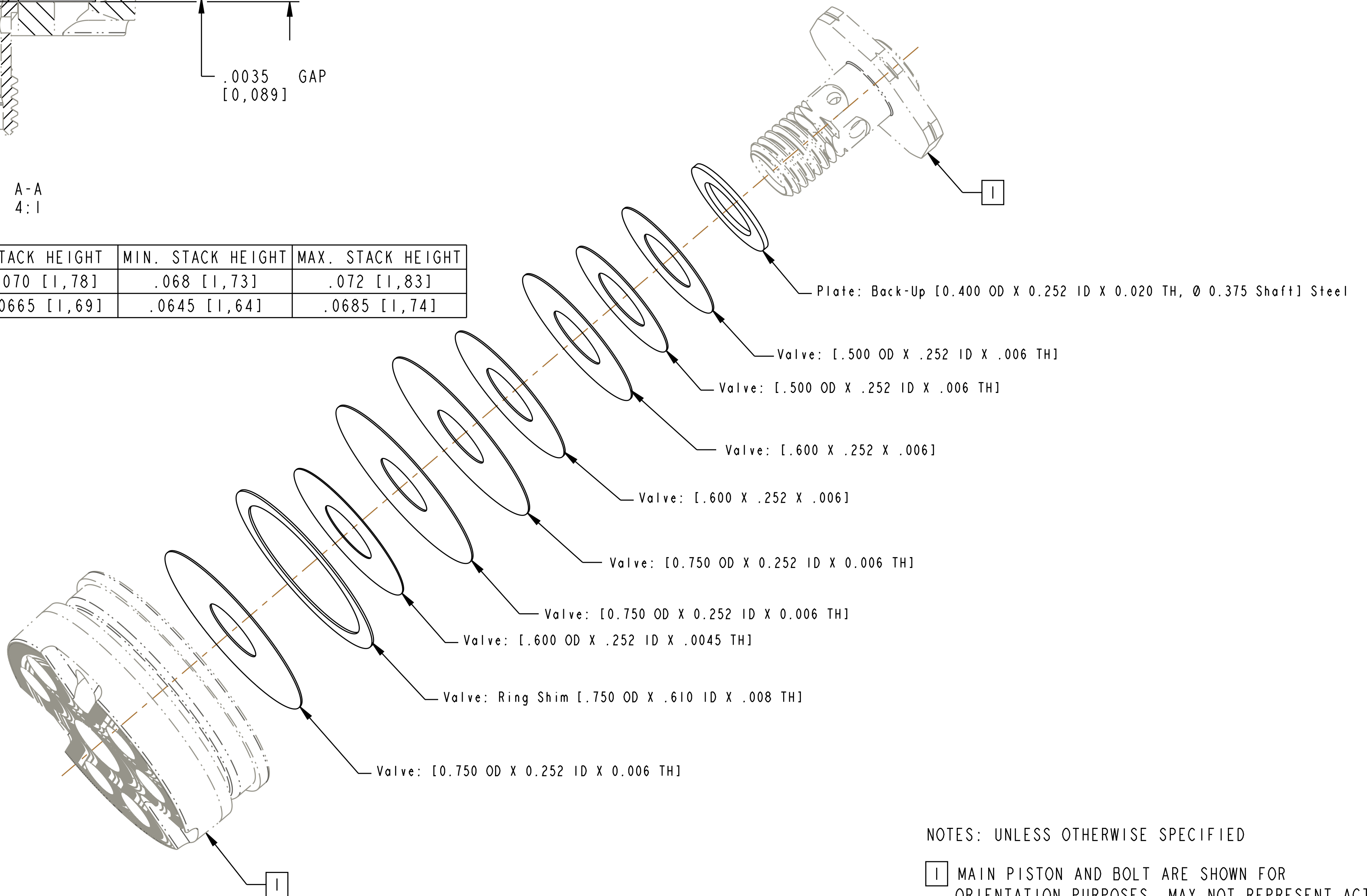


SECTION A-A
SCALE 4:1

STATE	STACK HEIGHT	MIN. STACK HEIGHT	MAX. STACK HEIGHT
FREE	.070 [1,78]	.068 [1,73]	.072 [1,83]
INSTALLED	.0665 [1,69]	.0645 [1,64]	.0685 [1,74]



NOTES: UNLESS OTHERWISE SPECIFIED

I MAIN PISTON AND BOLT ARE SHOWN FOR ORIENTATION PURPOSES. MAY NOT REPRESENT ACTUAL PART GEOMETRY.

- PROPRIETARY -
THIS DOCUMENT CONTAINS CONFIDENTIAL, PROPRIETARY INFORMATION
THAT IS FOX PROPERTY. DO NOT DISCLOSE TO OR DUPLICATE
FOR OTHERS EXCEPT AS AUTHORIZED BY FOX.

FOX **FOX Factory, Inc.** Ph 831-768-1100
130 Hangar Way, Watsonville, CA 95076 USA Fax 831-768-9312

TITLE
Valve Stack Assy: 2024
Float LV, Rebound Firm, RF

SIZE DWG. NO. **805-05-574-KIT**
C PLOT SCALE 3.5:1 SHEET 1 OF 1