

4

3

2

1

D

D

C

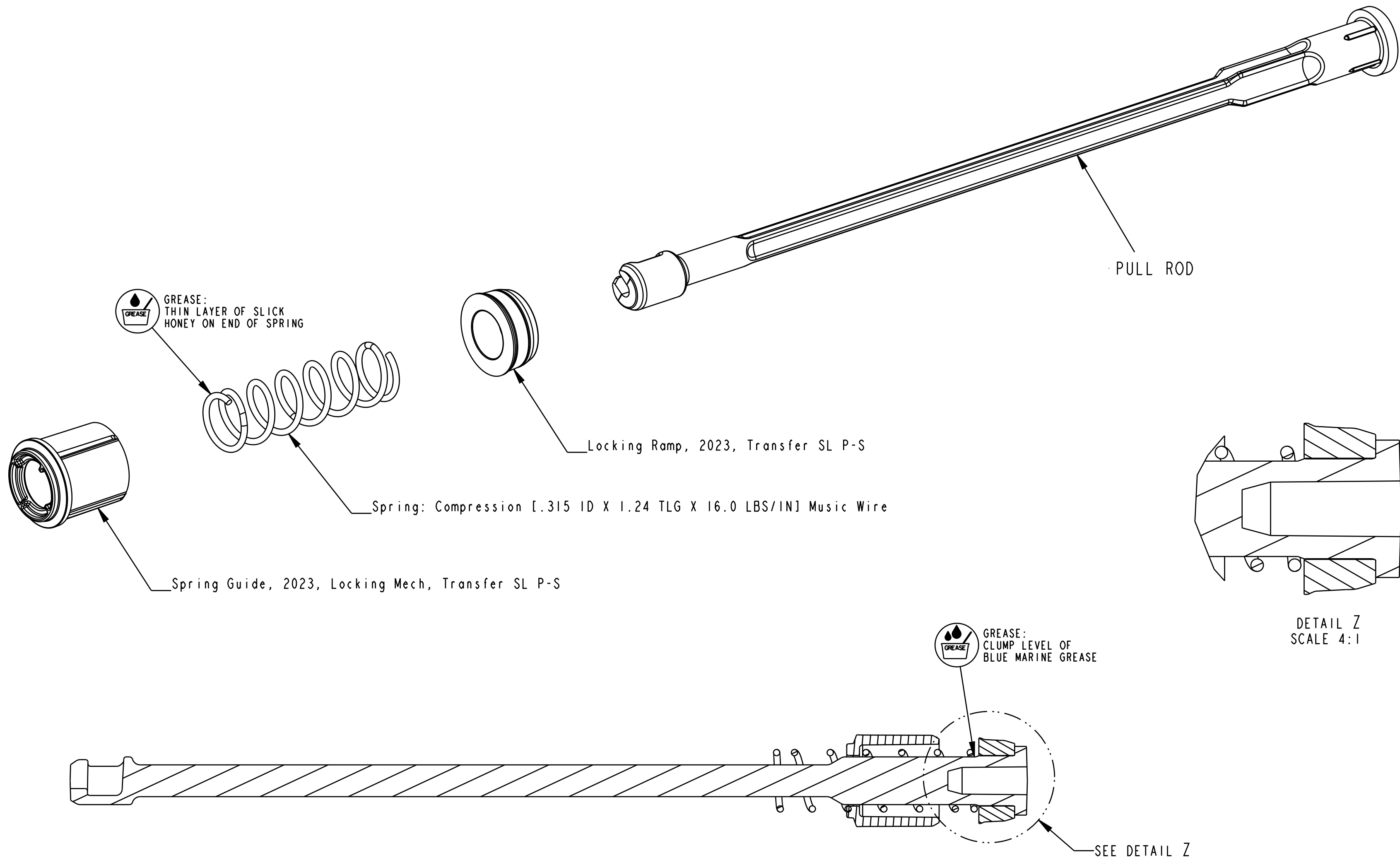
C

B

B

A

A



GREASE:  
THIN LAYER OF SLICK  
HONEY ON END OF SPRING

Locking Ramp, 2023, Transfer SL P-S

Spring: Compression [1.315 ID X 1.24 TLG X 16.0 LBS/IN] Music Wire

Spring Guide, 2023, Locking Mech, Transfer SL P-S

PULL ROD

DETAIL Z  
SCALE 4:1

GREASE:  
CLUMP LEVEL OF  
BLUE MARINE GREASE

SEE DETAIL Z

- PROPRIETARY -  
THIS DOCUMENT CONTAINS CONFIDENTIAL, PROPRIETARY INFORMATION  
THAT IS FOX PROPERTY. DO NOT DISCLOSE TO OR DUPLICATE  
FOR OTHERS EXCEPT AS AUTHORIZED BY FOX.

<b>FOX</b>		<b>FOX Factory, Inc.</b>		Ph 831-768-1100
		130 Hangar Way, Watsonville, CA 95076 USA		Fax 831-768-9312
TITLE 2023 Transfer SL P-S, Pull Rod Assys				
SIZE DWG. NO. <b>C</b>				
PLOT SCALE 2:1			SHEET 1 OF 1	

4

3

2

1