

4

3

2

1

D

D

C

C

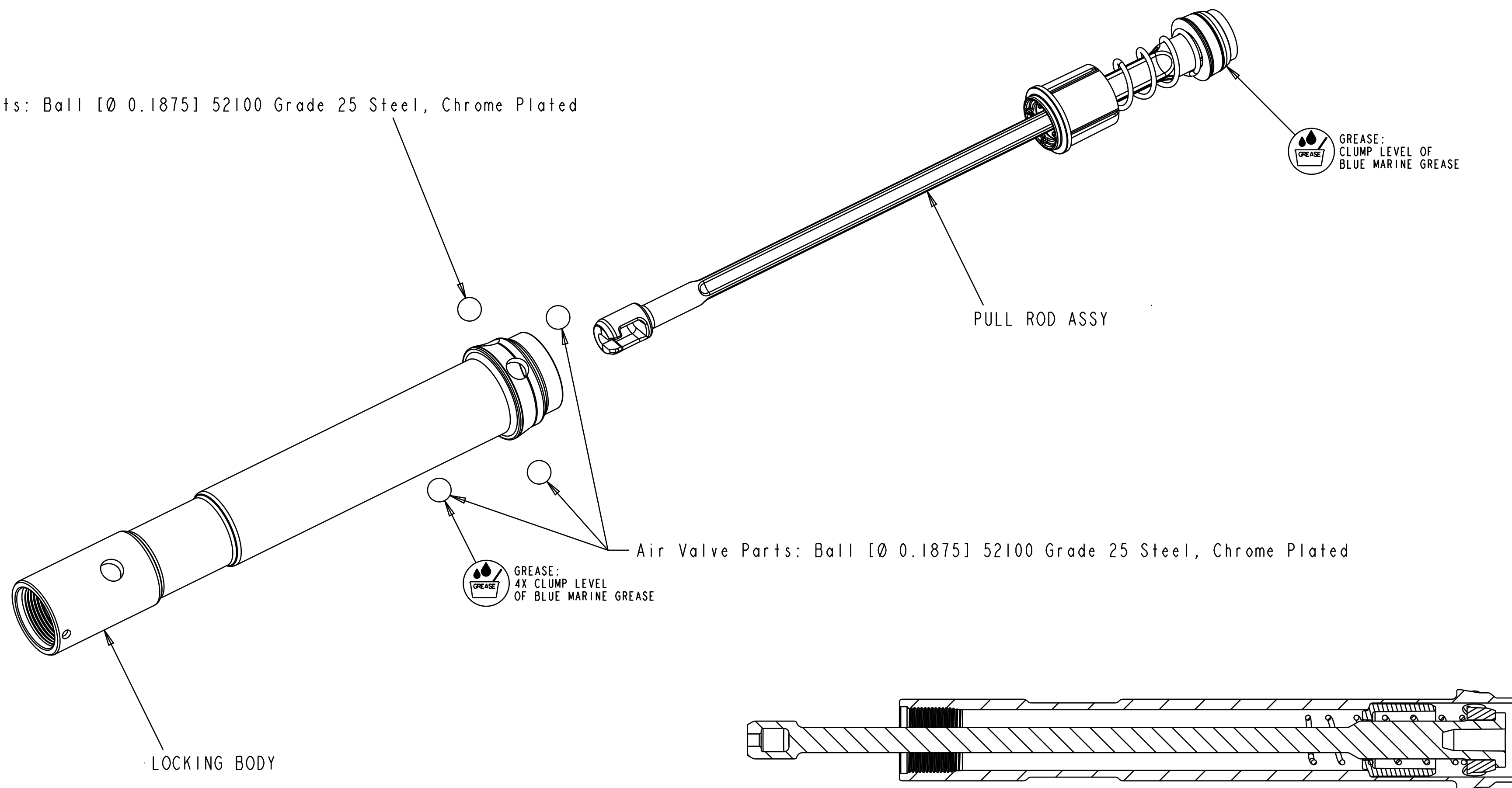
B

B

A

A

Air Valve Parts: Ball [Ø 0.1875] 52100 Grade 25 Steel, Chrome Plated



GREASE:
4X CLUMP LEVEL
OF BLUE MARINE GREASE

GREASE:
CLUMP LEVEL OF
BLUE MARINE GREASE

LOCKING BODY

PULL ROD ASSY

Air Valve Parts: Ball [Ø 0.1875] 52100 Grade 25 Steel, Chrome Plated

- PROPRIETARY -
THIS DOCUMENT CONTAINS CONFIDENTIAL, PROPRIETARY INFORMATION
THAT IS FOX PROPERTY. DO NOT DISCLOSE TO OR DUPLICATE
FOR OTHERS EXCEPT AS AUTHORIZED BY FOX.

FOX FOX Factory, Inc. Ph 831-768-1100
130 Hangar Way, Watsonville, CA 95076 USA Fax 831-768-9312

TITLE
2023 Transfer SL
P-S, Locking Mechanism Assys

SIZE DWG. NO.
C
PLOT SCALE 1.5:1 SHEET 1 OF 1

4

3

2

1

ProE ASSEM