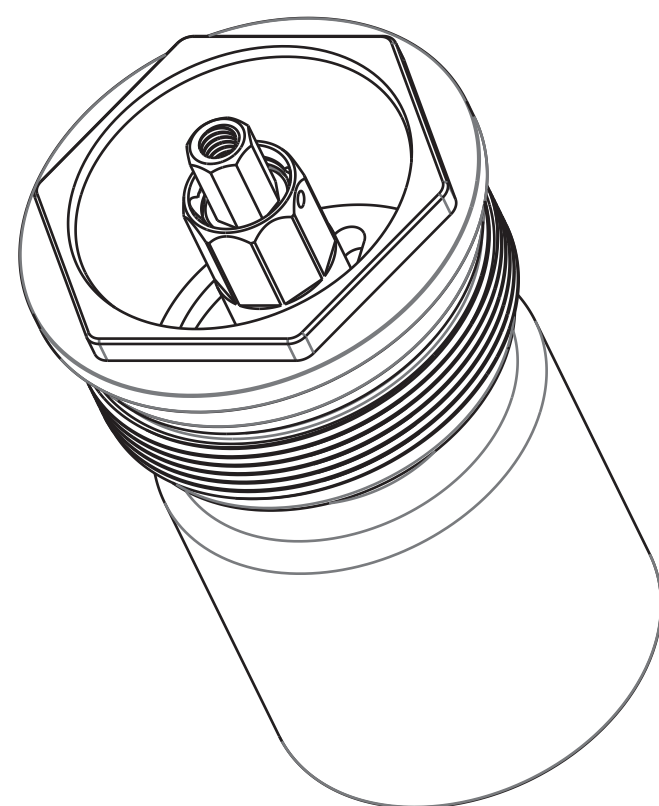


4

3

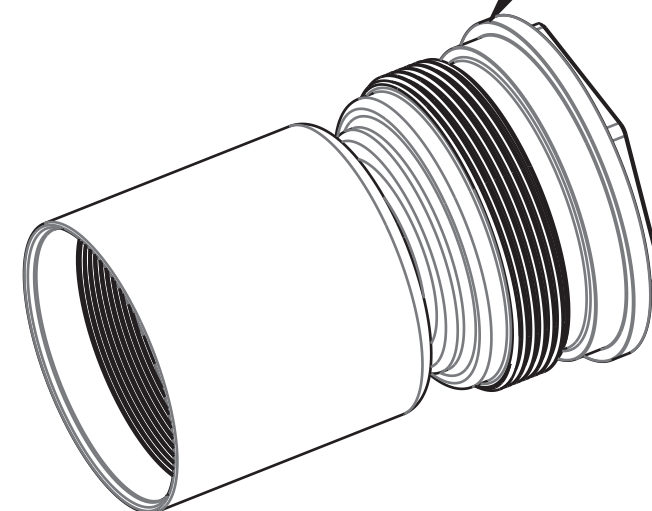
2

1

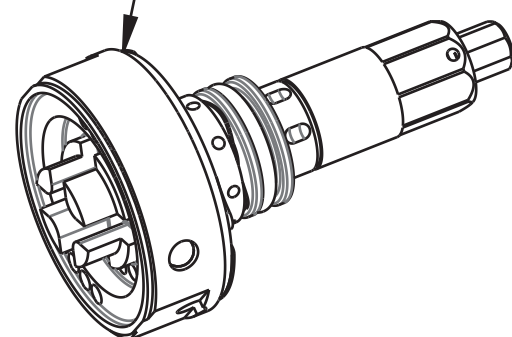


820-03-258-KIT  
2017 FIT4 Lightweight Top Cap Parts

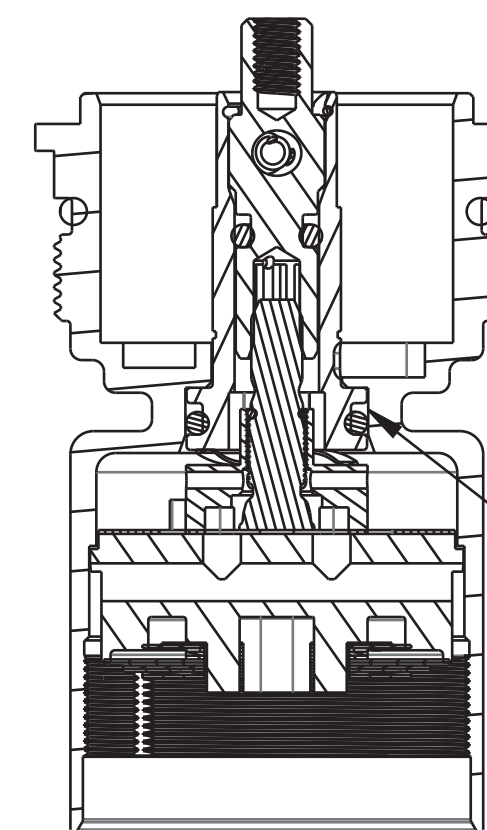
TOPCAP BODY



TOPCAP O-RING



820-03-575-KIT  
2019 FIT4 SC Compression Valving Assy, 8mm Shaft



GREASE:  
APPLY SLICK HONEY TO INSIDE  
OF TOPCAP BORE BEFORE ASSEMBLY

**FOX** **FOX Factory, Inc.** Ph 831-768-1100  
130 Hangar Way, Watsonville, CA 95076 USA Fax 831-768-9312

TITLE  
**2022 32 TC FIT4**  
**Topcap Assy, 3 Pos Adj**

SIZE DWG. NO. **820-05-691-KIT**

PLOT SCALE | .50 : 1 |

SHEET 1 OF 1

- PROPRIETARY -  
THIS DOCUMENT CONTAINS CONFIDENTIAL, PROPRIETARY INFORMATION  
THAT IS FOX PROPERTY. DO NOT DISCLOSE TO OR DUPLICATE  
FOR OTHERS EXCEPT AS AUTHORIZED BY FOX.

4

3

2

1

D

D

C

C

B

B

A

A