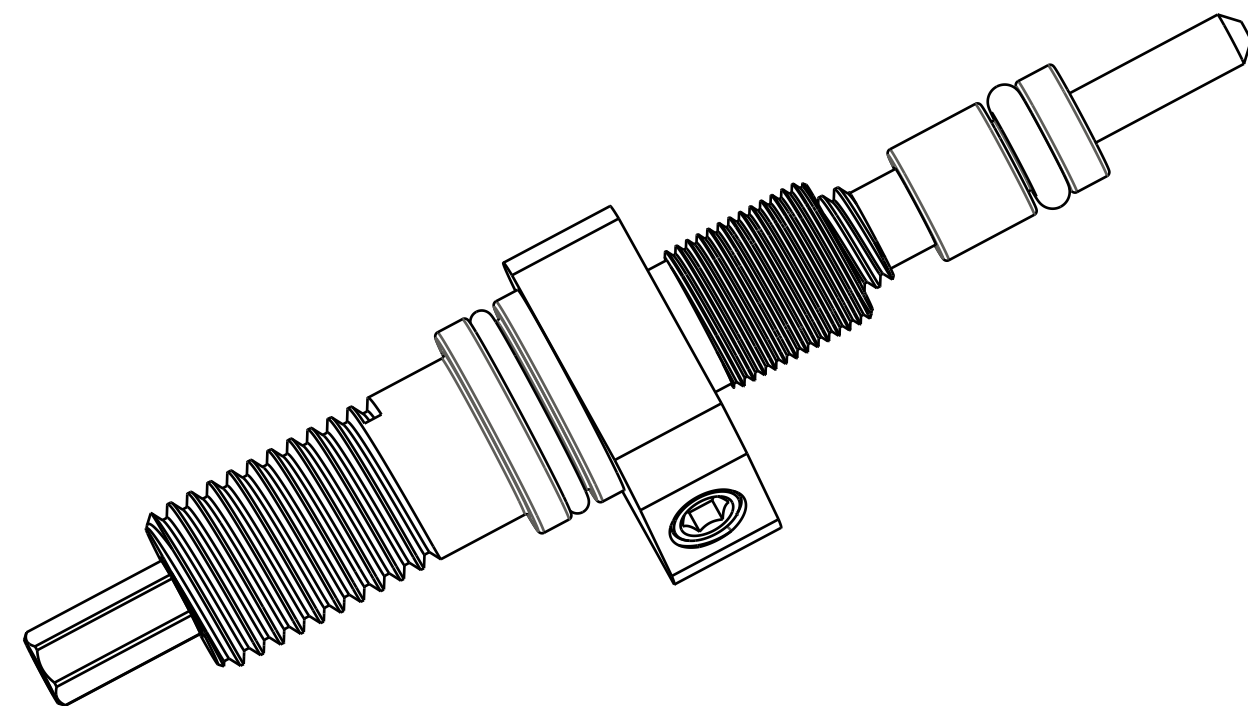


4

3

2

1



Rebound Adjuster, 2022 FIT4 TC, 8mm, 7075-T6

Seals: O-Ring [3.5MM ID x 1.0MM CS] Metric, N-70, Static

Body, Rebound Adjuster, 2019 FIT4, 8mm

GREASE:  
THIN LAYER OF BLUE MARINE  
GREASE ON FULL 360° OF THREADS

Ball [Ø 0.1250] Steel

Spring: [0.125 TLG X 0.125 OD X 50.00 lbs/in]

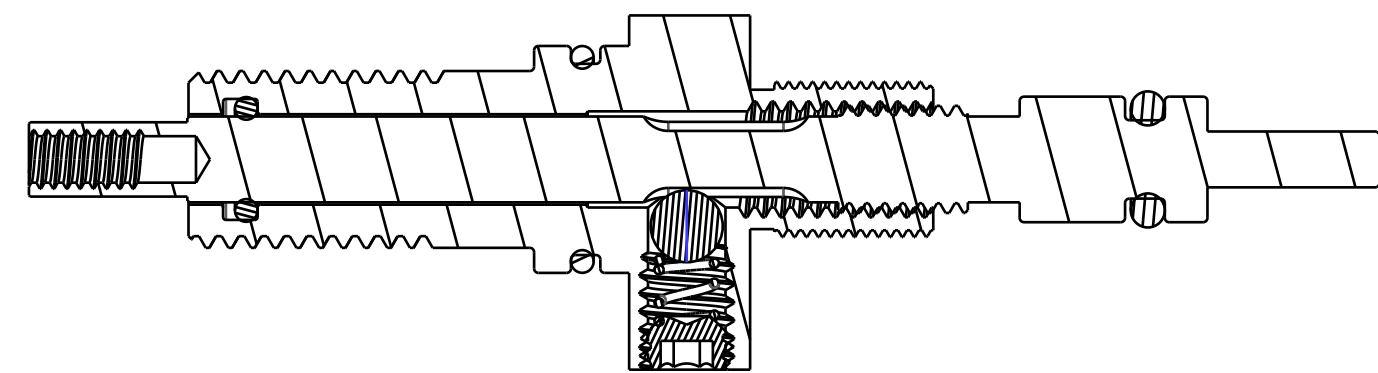
Screw, Set [#8-32 X .093 L] Cup Pt, Nylok

GREASE:  
THIN LAYER OF BLUE  
MARINE GREASE ON BALL

TIGHTEN UNTIL FLUSH

GREASE:  
THIN LAYER  
OF SLICK HONEY

Seals: O-Ring [8.0MM ID x 1.0MM CS] Metric, N-70, Static



SECTION A-A  
SCALE 3:1

**FOX** **FOX Factory, Inc.** Ph 831-768-1100  
130 Hangar Way, Watsonville, CA 95076 USA Fax 831-768-9312

TITLE  
**2022 32 TC FIT4**  
**Rebound Adjuster Assy, 8mm Shaft**

SIZE DWG. NO. **820-03-685-KIT**  
PLOT SCALE 3:1 SHEET 1 OF 1

- PROPRIETARY -  
THIS DOCUMENT CONTAINS CONFIDENTIAL, PROPRIETARY INFORMATION  
THAT IS FOX PROPERTY. DO NOT DISCLOSE TO OR DUPLICATE  
FOR OTHERS EXCEPT AS AUTHORIZED BY FOX.

4

3

2

1

ProE ASSEM