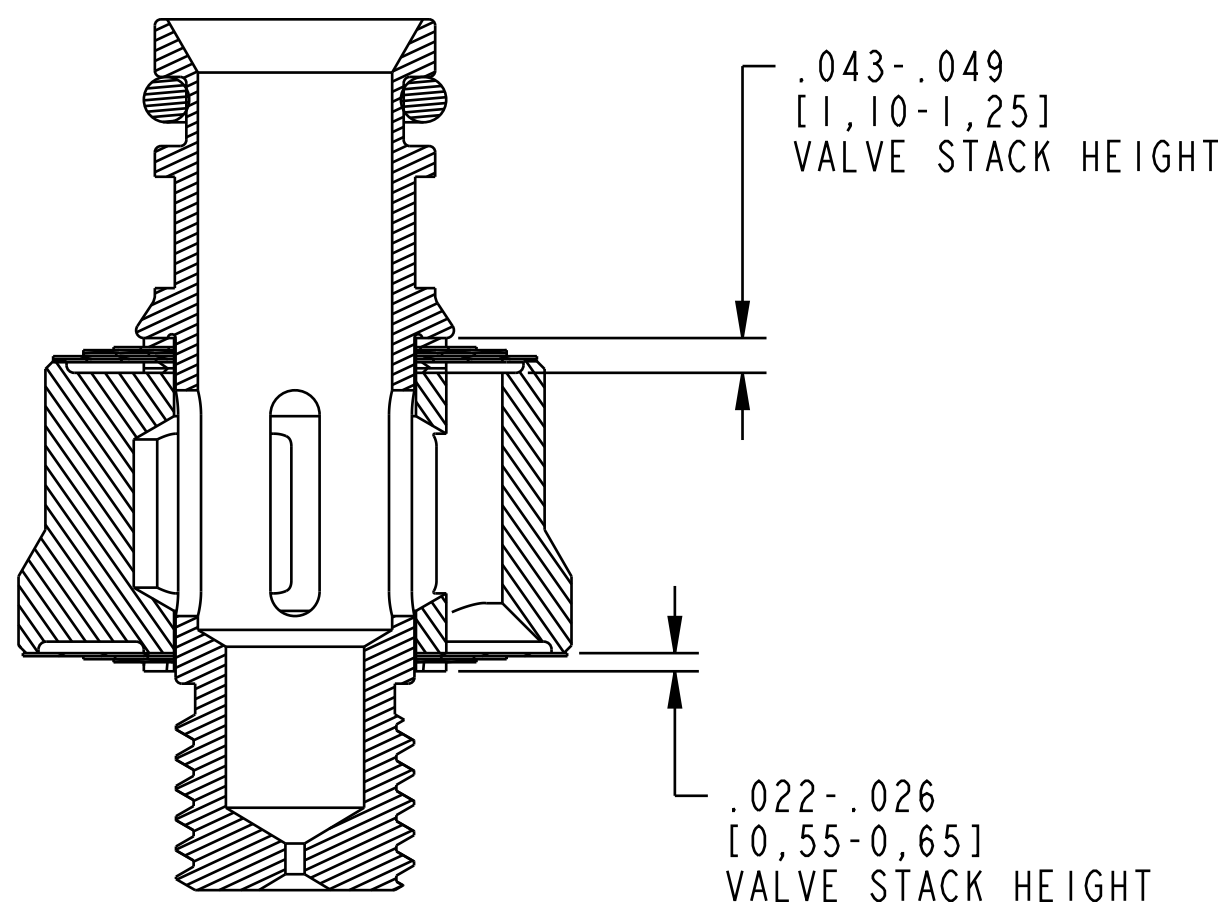


4

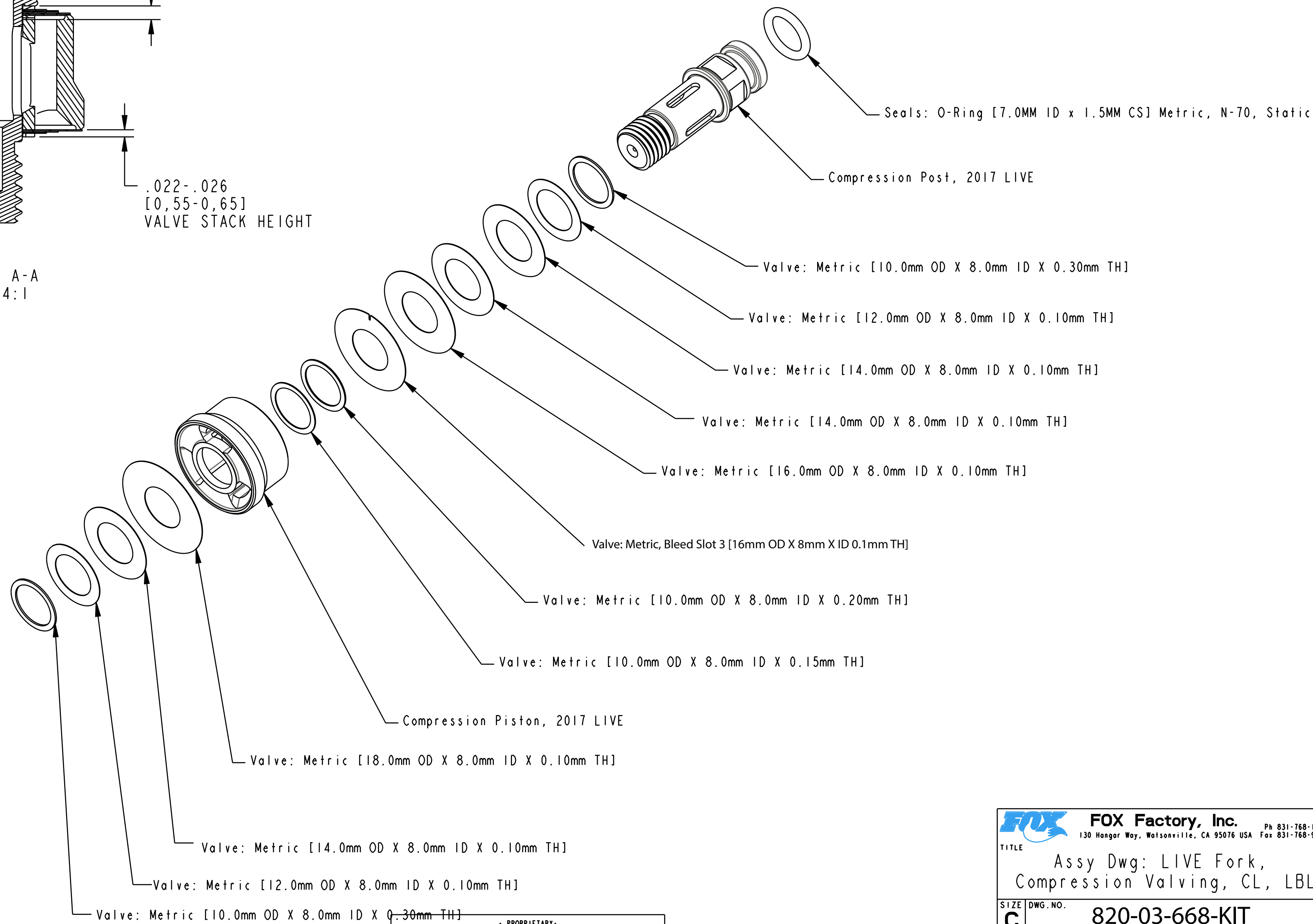
3

2

1



SECTION A-A  
SCALE 4:1



PROPRIETARY -  
THIS DOCUMENT CONTAINS CONFIDENTIAL, PROPRIETARY INFORMATION  
THAT IS FOX PROPERTY. DO NOT DISCLOSE TO OR DUPLICATE  
FOR OTHERS EXCEPT AS AUTHORIZED BY FOX.

		<b>FOX Factory, Inc.</b>	Ph 831-768-1100
		130 Hangar Way, Watsonville, CA 95076 USA	Fax 831-768-9312
TITLE Assy Dwg: LIVE Fork, Compression Valving, CL, LBL			
SIZE <b>C</b>	DWG. NO. <b>820-03-668-KIT</b>		
PLOT SCALE 2:1		SHEET 1 OF 1	

4

3

2

ProE ASSEM