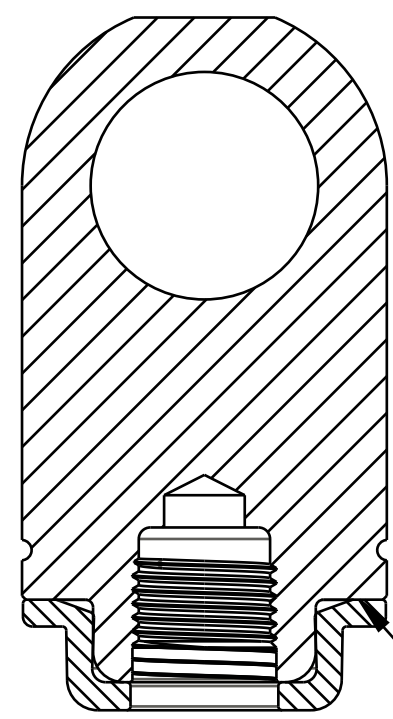
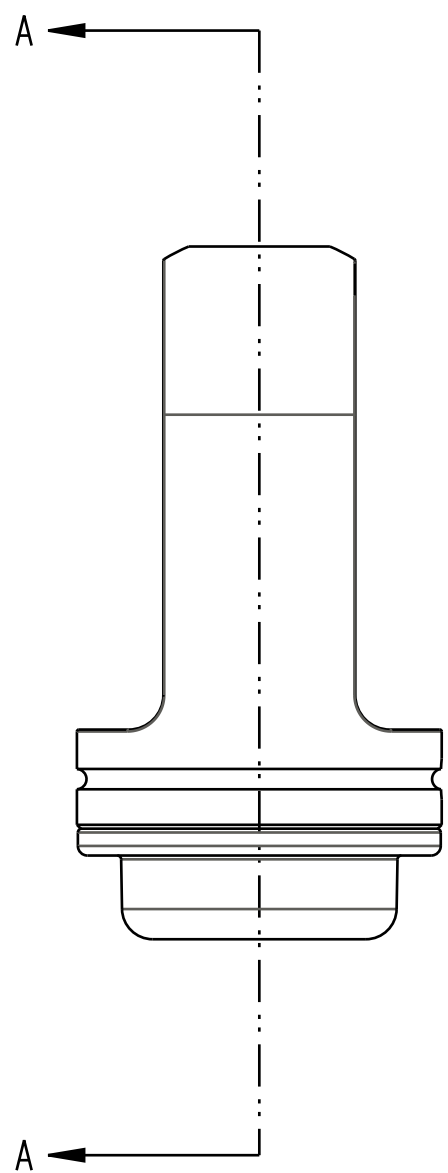
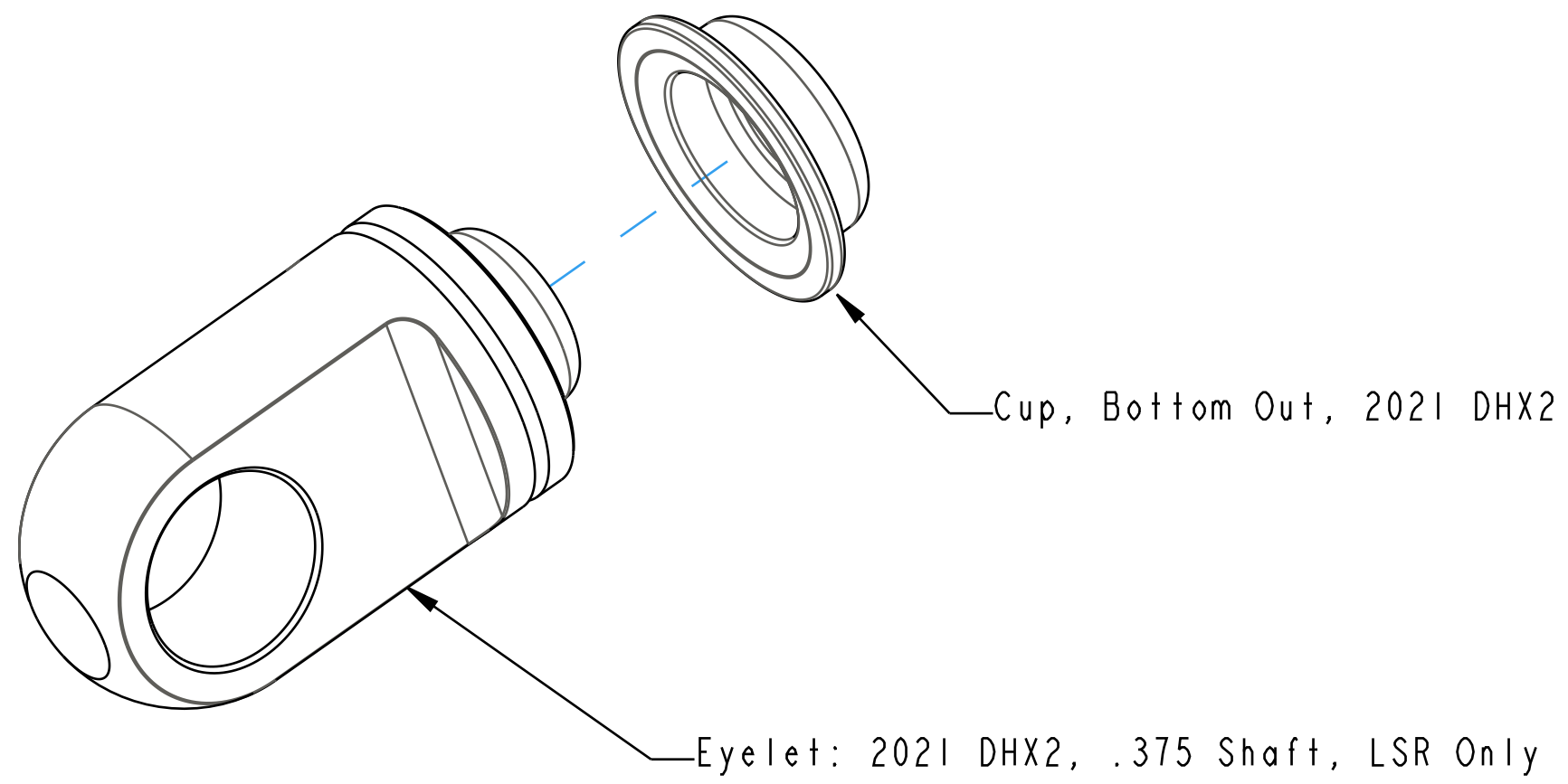


4

3

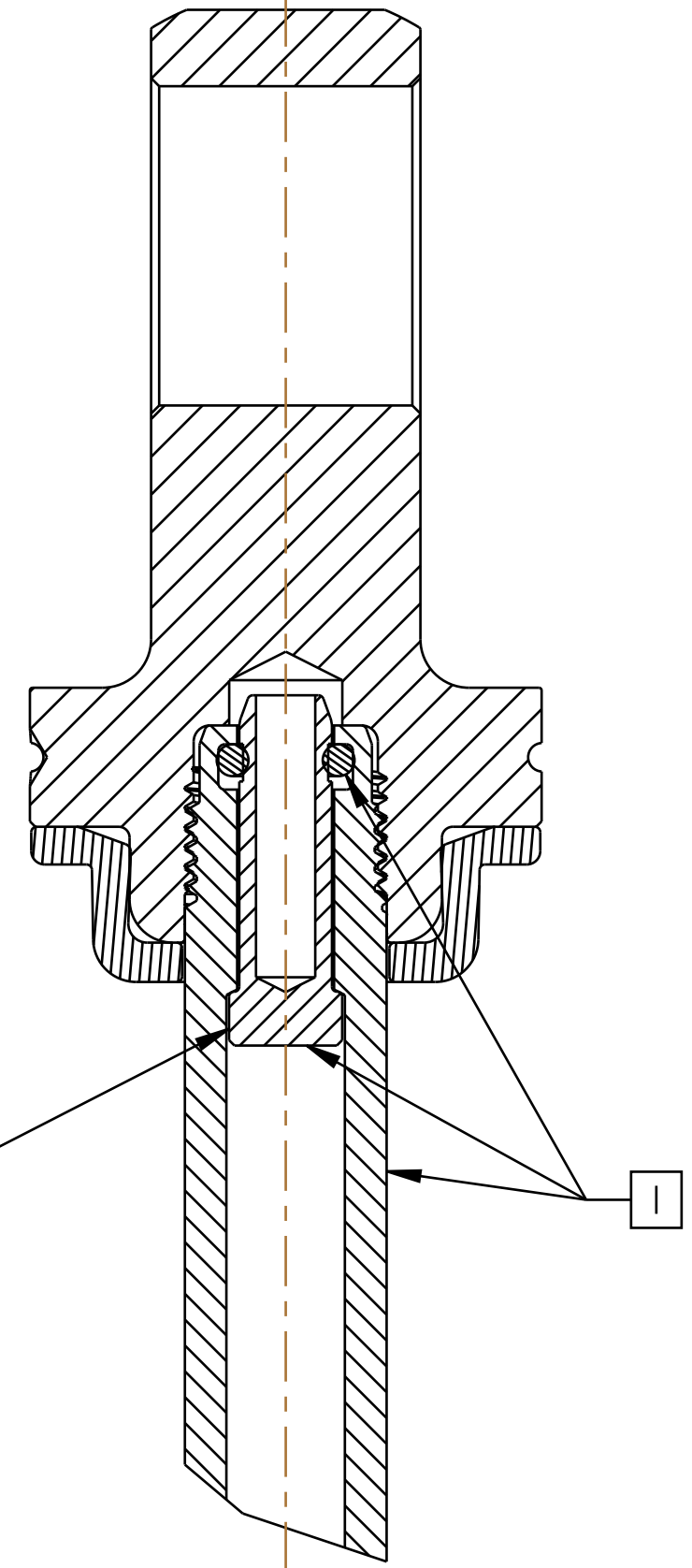
2

1



! IMPORTANT:  
PRESS FLUSH  
NO GAP

HSR PLUG IS BOTTOMED  
INTO DAMPER SHAFT



I ITEMS SHOWN FOR CLARITY ONLY AND ARE NOT INCLUDED IN THIS ASSY.

<b>FOX</b>		<b>FOX Factory, Inc.</b>	Ph 831-768-1100
		130 Hangar Way, Watsonville, CA 95076 USA	Fax 831-768-9312
TITLE Eyelet Assy: 2021 Shaft-End, DHX2, P-S, Ø .375 Shaft			
SIZE	DWG. NO.	808-14-078-KIT	
C			
PLOT SCALE		2:1	SHEET 1 OF 2

- PROPRIETARY -  
THIS DOCUMENT CONTAINS CONFIDENTIAL, PROPRIETARY INFORMATION  
THAT IS FOX PROPERTY. DO NOT DISCLOSE TO OR DUPLICATE  
FOR OTHERS EXCEPT AS AUTHORIZED BY FOX.

4

3

2

1

ProE ASSEM