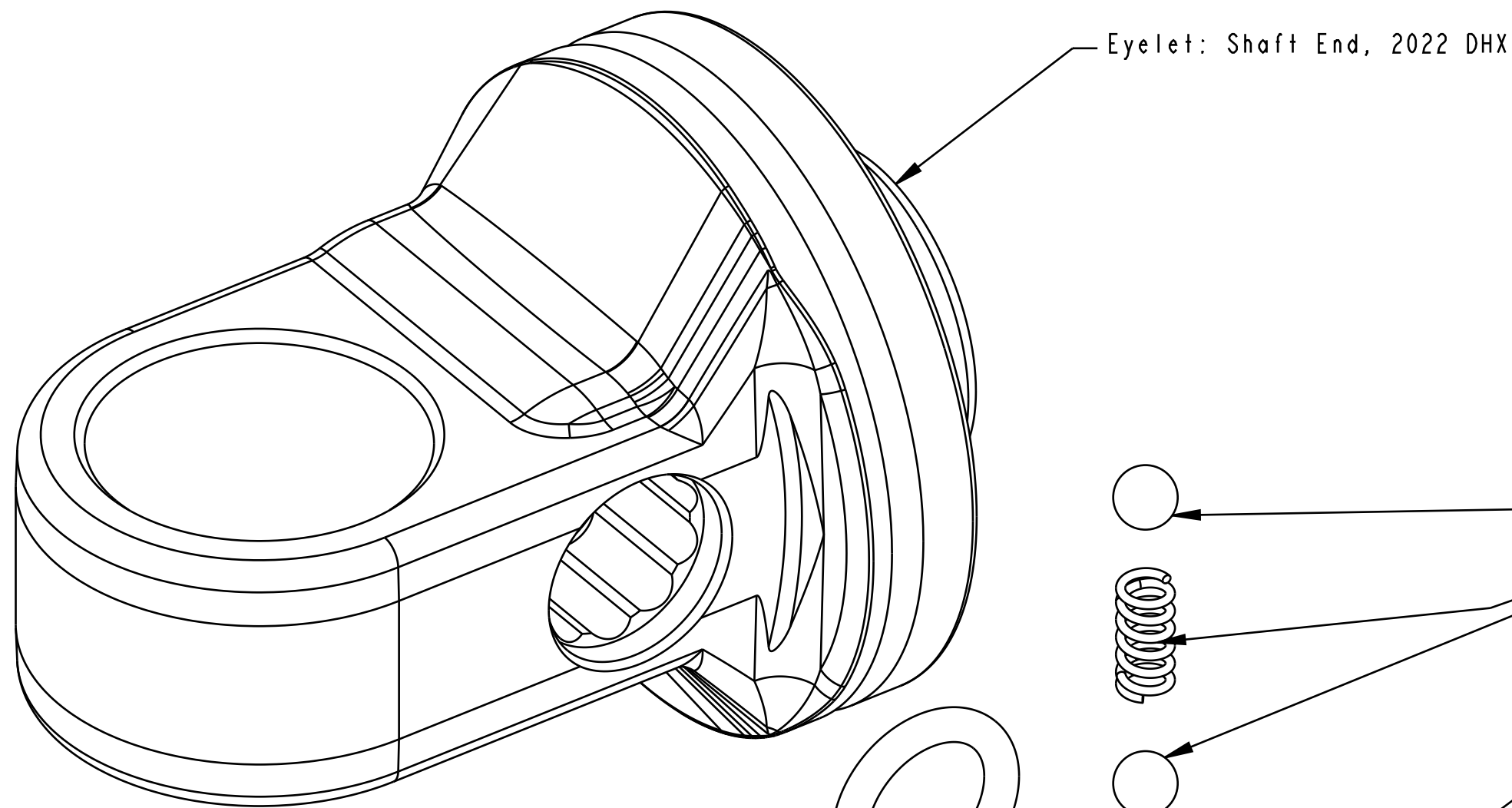


4

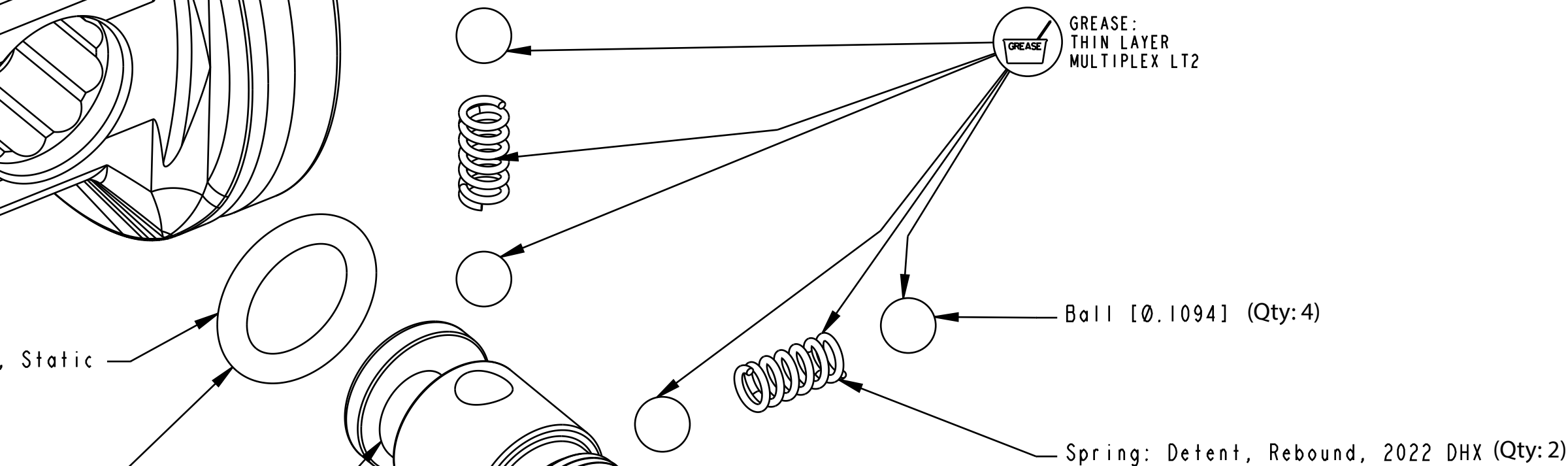
3

2

1



Seals: O-Ring [6.5mm ID x 1.5mm CS] Metric, N-70, Static

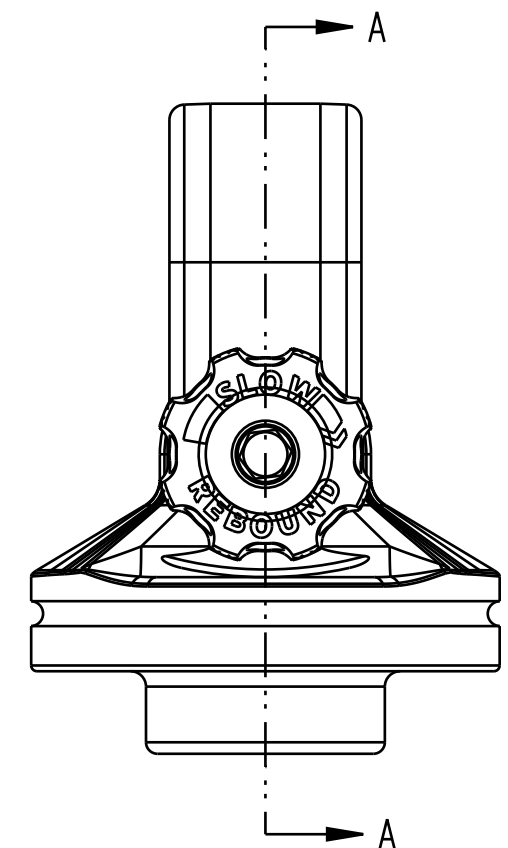
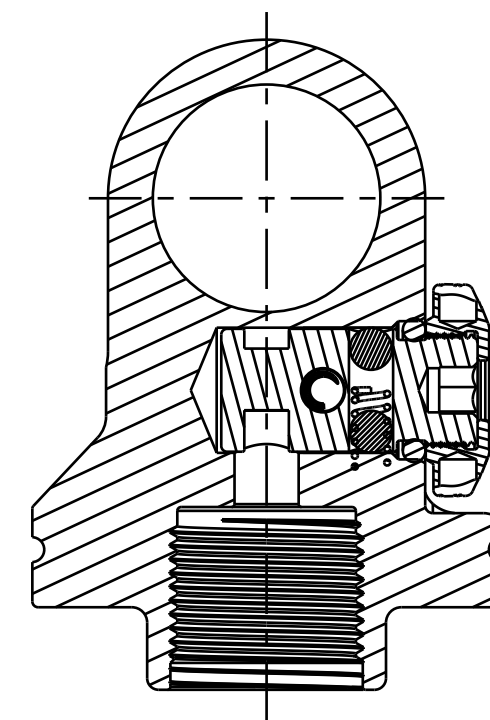
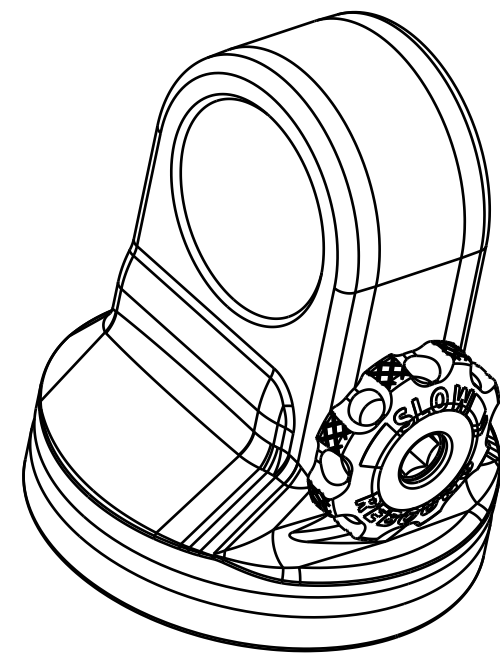


Cam, Rebound, 2022 DHX

Damping Adj Part: Knob, Rebound, 2022 DHX, Red

LOCTITE:  
RED 263  
FIRST 2-3 THREADS, FULL 360°

TORQUE:  
35±5 IN-LBF



PROPRIETARY  
THIS DOCUMENT CONTAINS CONFIDENTIAL, PROPRIETARY INFORMATION  
THAT IS FOX PROPERTY. DO NOT DISCLOSE TO OR DUPLICATE  
FOR OTHERS EXCEPT AS AUTHORIZED BY FOX.

**FOX** FOX Factory, Inc. Ph 831-768-1100  
130 Hangar Way, Watsonville, CA 95076 USA Fax 831-768-9312

TITLE  
**Eyelet Assy: 2022 DHX, Shaft End**

SIZE DWG. NO. **808-17-459-KIT**  
C | PLOT SCALE 4:1:1 | SHEET 1 OF 1