

4

3

2

1

D

D

C

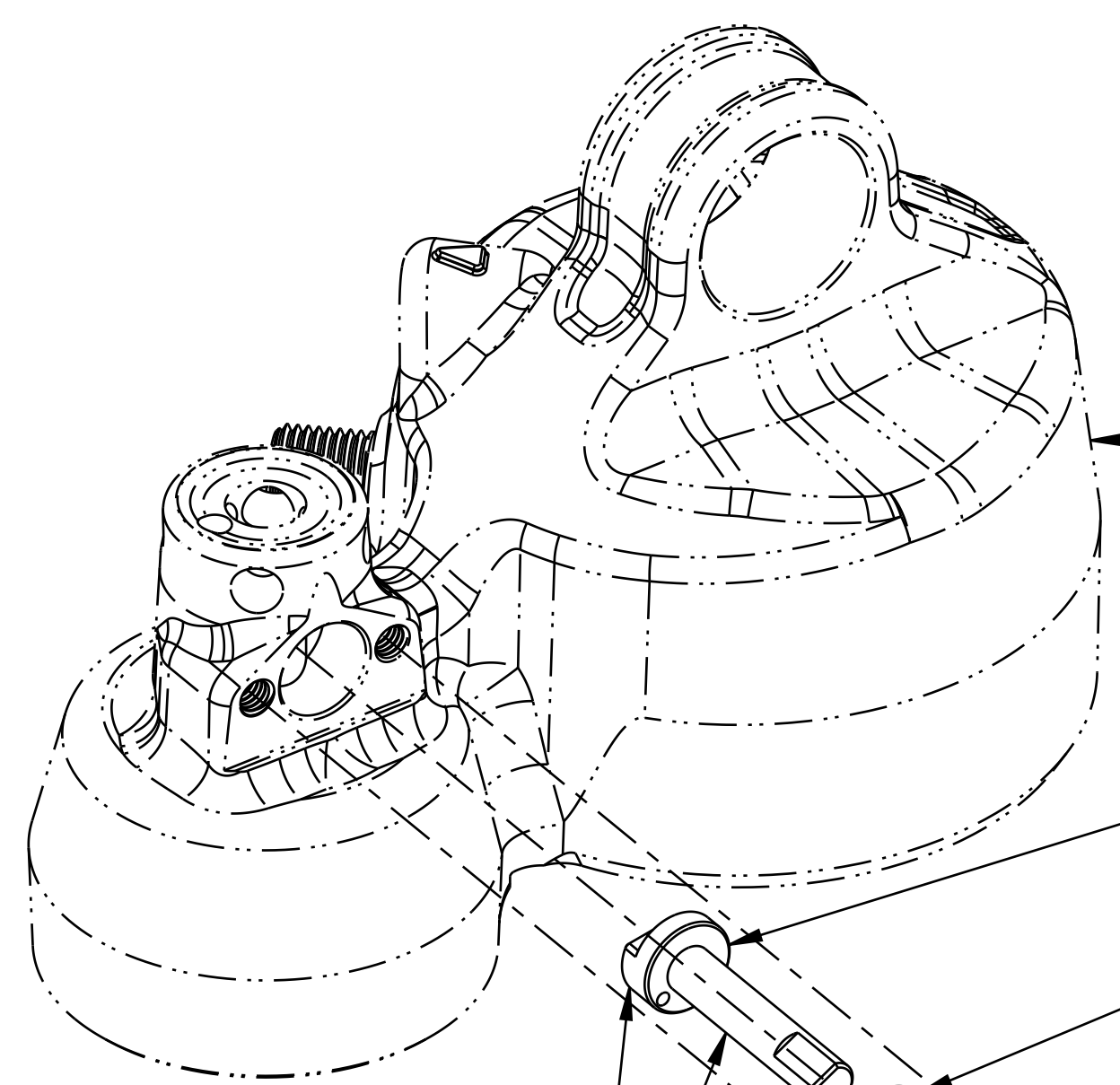
C

B

B

A

A



EYELET SHOWN FOR REFERENCE ONLY

Damping Adj Part: Remote Lockout Cam, 2022 FLOAT X

Spring: Torsion, Remote, 2022 FLOAT X

Damping Adj Part: Cable Hanger, 2022 FLOAT X

Fastener, Standard (Metric): Screw [M3 x 16mm] Black, Socket Flathead (Qty:2)

TORQUE: 8±2 IN-LBF

Set Screw [M4 x .7mm x 4mm] Flat Point, Torx, Black,

Damping Adj Part: Remote Pulley, 2022 FLOAT X

TORQUE: 11±3 IN-LBF

TORQUE: HAND TIGHT

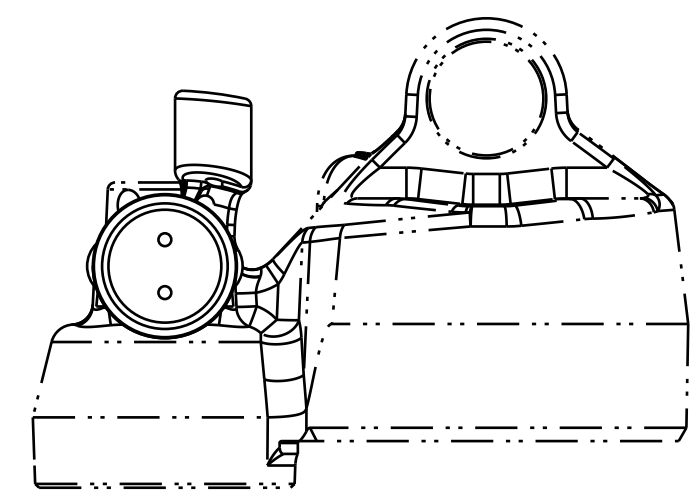
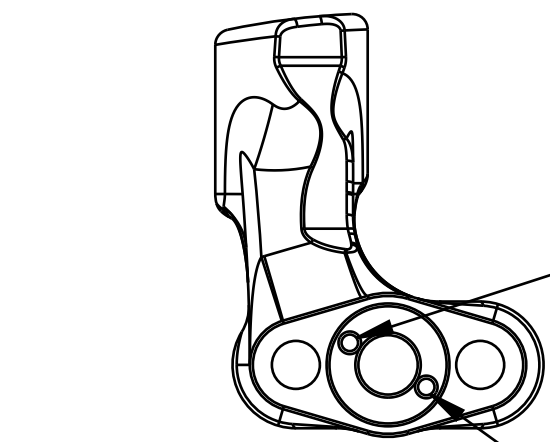
Set Screw [M4 x .7mm x 4mm], Flat Point, SS

GREASE: THICK LAYER OF ULTRAPLEX LT2

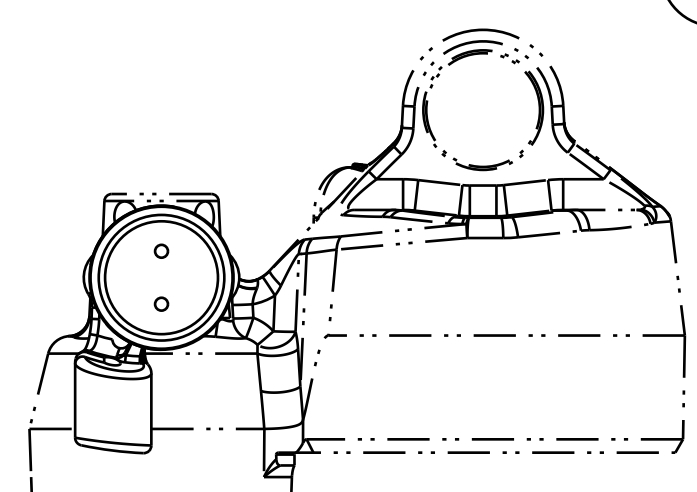
IMPORTANT: NOTE PROPER HOLE FOR SPRING TANG IN CABLE HANGER

CHECK: SPRING TANG LOCATION FOR CABLE STOP DOWN

CHECK: SPRING TANG LOCATION FOR CABLE STOP UP



CABLE STOP UP



CABLE STOP DOWN

CABLE STOP ORIENTATION

PROPRIETARY - THIS DOCUMENT CONTAINS CONFIDENTIAL, PROPRIETARY INFORMATION THAT IS FOX PROPERTY. DO NOT DISCLOSE TO OR DUPLICATE FOR OTHERS EXCEPT AS AUTHORIZED BY FOX.

**FOX** FOX Factory, Inc. Ph 831-768-1100  
 130 Hangar Way, Watsonville, CA 95076 USA Fax 831-768-9312

TITLE Eyelet Sub Assy: Remote, 2pos, PTL, 2022 FLOAT X & DHX

SIZE DWG. NO. **C** 808-17-474-KIT

PLOT SCALE 2:1 SHEET 1 OF 1

4

3

2

1

ProE ASSEM