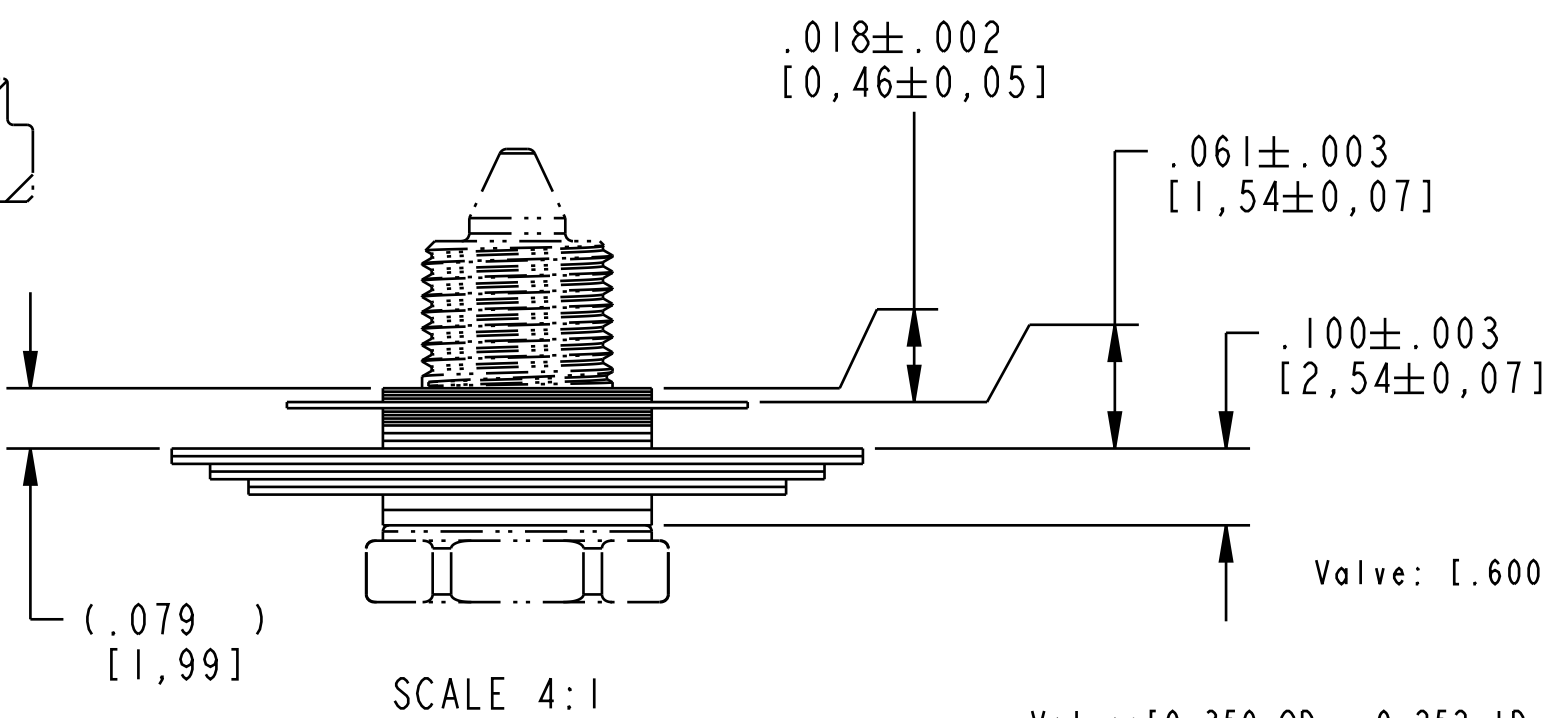
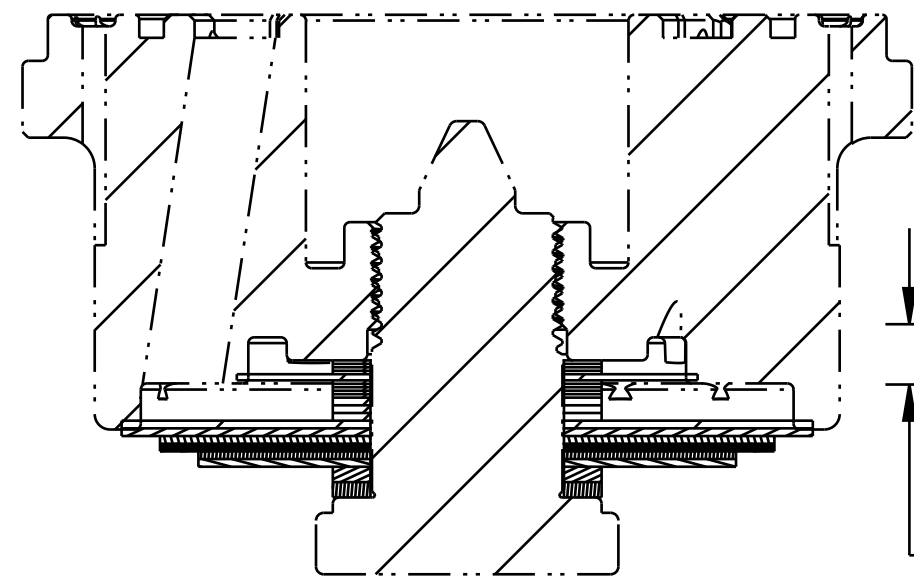


4

3

2

1



Valve: [.600 OD X .252 ID X .008 TH]

Valve: [.350 OD x 0.252 ID x 0.0045 TH]

Valve: [.350 OD X .252 ID X 0.010 TH]

Valve: Bleed, Single 0.045 Slot [.900 OD X 0.252 ID X 0.010 TH]

Valve: [.900 OD X .252 ID X .010 TH]

Valve: [.800 OD X .252 ID X .010 TH]

Valve: [.700 OD X .252 ID X .010 TH]

Valve: [.350 OD x 0.252 ID x 0.0045 TH]

Valve: [.350 OD X .252 ID X 0.010 TH]

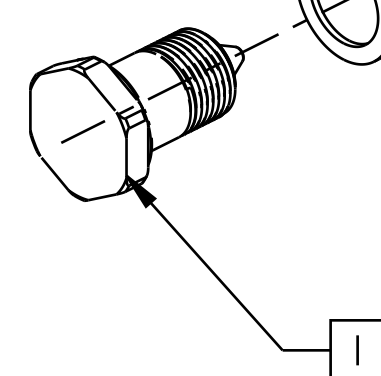
Valve: [.350 OD X .252 ID X .020 TH]

Valve: [.800 OD X .252 ID X .010 TH]

Valve: [.700 OD X .252 ID X .010 TH]

Valve: [.350 OD X .252 ID X .020 TH]

I BASE VALVE AND BOLT SHOWN FOR REFERENCE PURPOSES



FOX		FOX Factory, Inc.		Ph 831-768-1100
		130 Hangar Way, Watsonville, CA 95076 USA		Fax 831-768-9312
TITLE				
Valve Stack Assy: 2022 FLOAT X & DHX, Base Valve, Lever Mode Medium, Bleed I, LMBI				
SIZE	DWG. NO.	805-05-212-KIT		
C				
PLOT SCALE		2:1	SHEET 1 OF 1	

PROPRIETARY - THIS DOCUMENT CONTAINS CONFIDENTIAL, PROPRIETARY INFORMATION THAT IS FOX PROPERTY. DO NOT DISCLOSE TO OR DUPLICATE FOR OTHERS EXCEPT AS AUTHORIZED BY FOX.

4

3

2

1

ProE ASSEM