

IMPORTANT: 70MM TRAVEL CONFIGURATION TO BE ASSEMBLED HERE

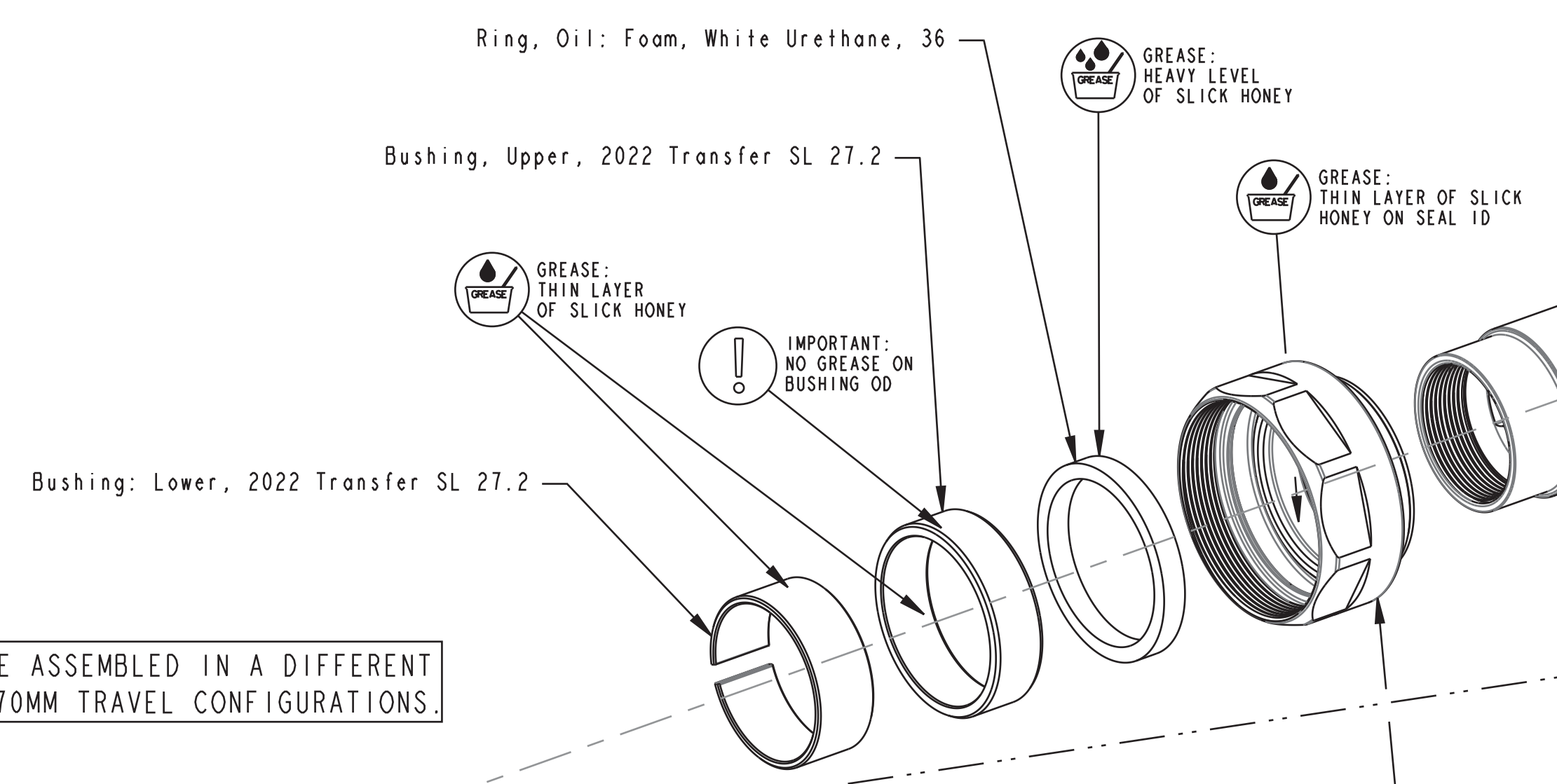
IMPORTANT: ASSEMBLY SHOWN IN 50MM TRAVEL CONFIGURATION

SECTION A-A

Retaining Ring: Round Wire [1.039 CS X .772 Free OD] 304 SS

Spring Guide, Upper, 2022 Transfer SL 27.2

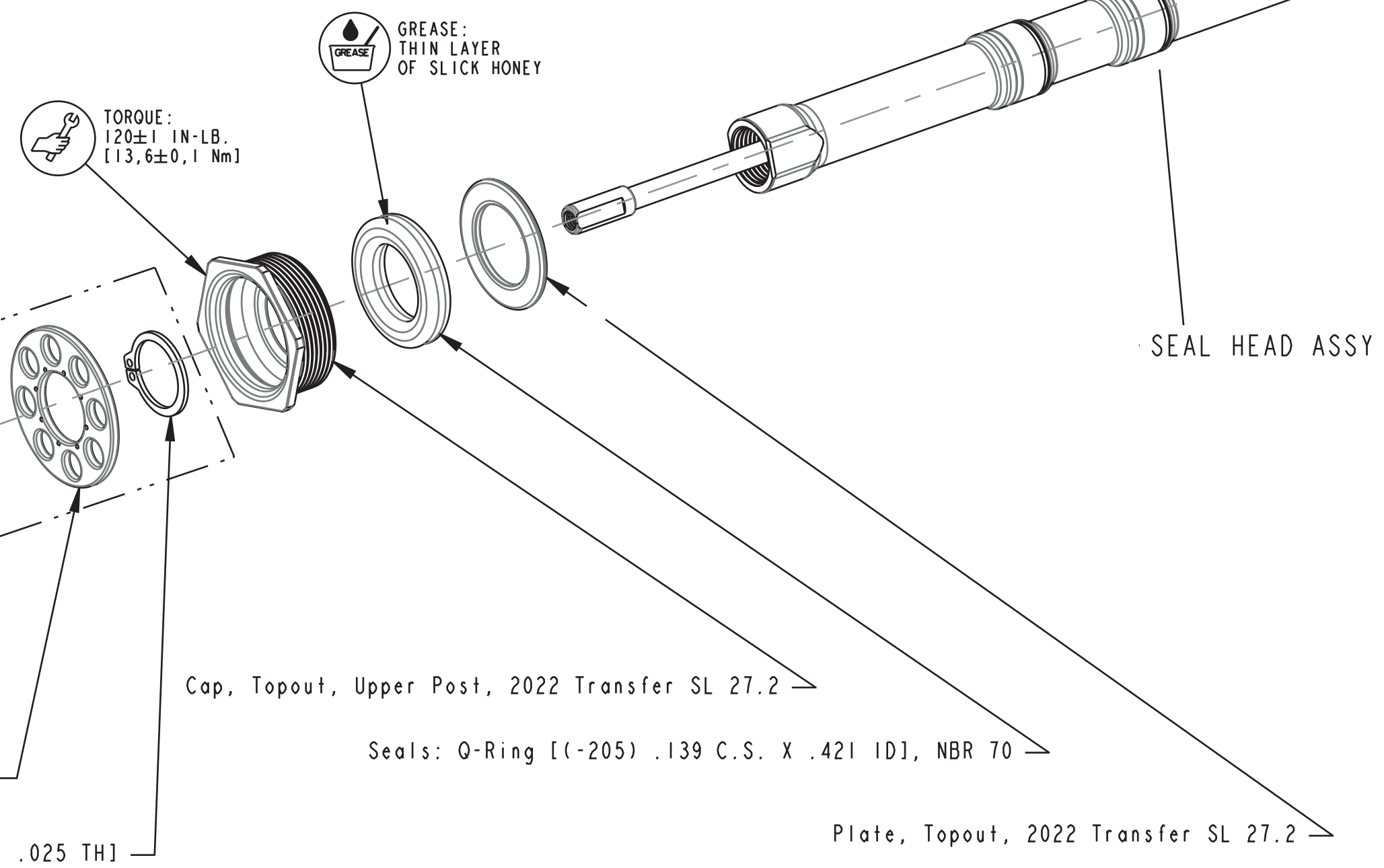
GREASE: THIN LAYER OF SLICK HONEY ALONG THE LENGTH OF 4 INNER SURFACES + END FACE



UPPER POST

SPRING

THE 4 HIGHLIGHTED PARTS ARE ASSEMBLED IN A DIFFERENT LOCATION FOR THE 50MM VS. 70MM TRAVEL CONFIGURATIONS.



**FOX Factory, Inc.**  
 130 Hangar Way, Watsonville, CA 95076 USA  
 Ph 831-768-1100 Fax 831-768-9312

TITLE: **2022 Transfer SL 27.2mm Upper Post Assys**

SIZE DWG. NO. **D**

PLOT SCALE 1.5:1

SHEET 1 OF 1

PROPRIETARY - THIS DOCUMENT CONTAINS CONFIDENTIAL, PROPRIETARY INFORMATION THAT IS FOR PROPERTY. DO NOT DISCLOSE TO OR DUPLICATE FOR OTHERS EXCEPT AS AUTHORIZED BY FOX.