

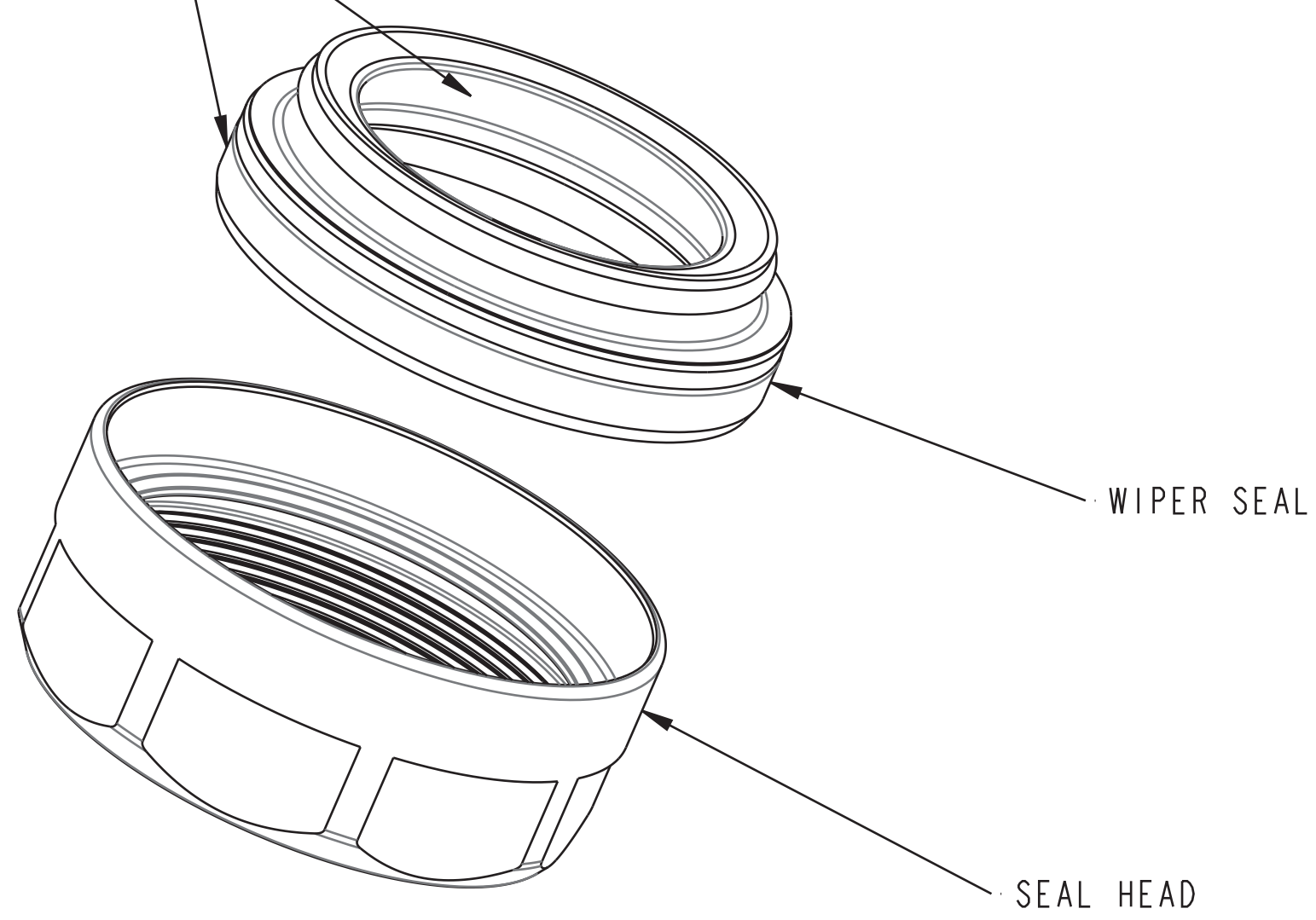
4

3

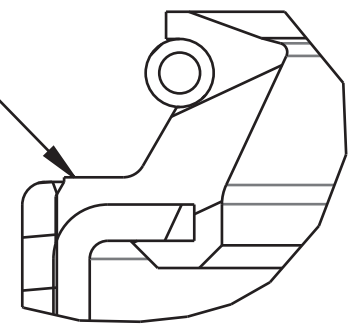
2

1

GREASE:  
THIN LAYER OF SLICK  
HONEY ON ID AND OD

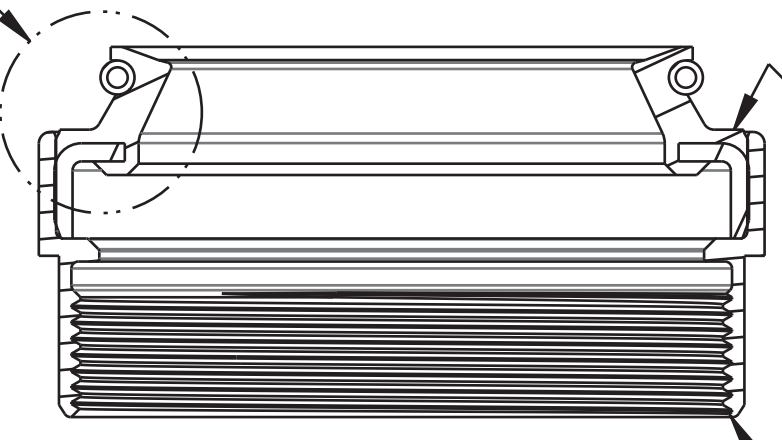


SEAL IS .000~.010 ABOVE  
SEAL HEAD AFTER INSTALLATION



DETAIL Z  
SCALE 6:1

SEE DETAIL Z



SECTION A-A

PRESS:  
CONTACT PARTS ON  
THESE SURFACES ONLY

**FOX** **FOX Factory, Inc.** Ph 831-768-1100  
 130 Hangar Way, Watsonville, CA 95076 USA Fax 831-768-9312

TITLE **2022 Transfer SL 27.2mm  
 Seal Head Assys**

- PROPRIETARY -  
 THIS DOCUMENT CONTAINS CONFIDENTIAL, PROPRIETARY INFORMATION  
 THAT IS FOX PROPERTY. DO NOT DISCLOSE TO OR DUPLICATE  
 FOR OTHERS EXCEPT AS AUTHORIZED BY FOX.

SIZE DWG. NO. **C**

PLOT SCALE 3:1 SHEET 1 OF 1

4

3

2

1

ProE ASSEM