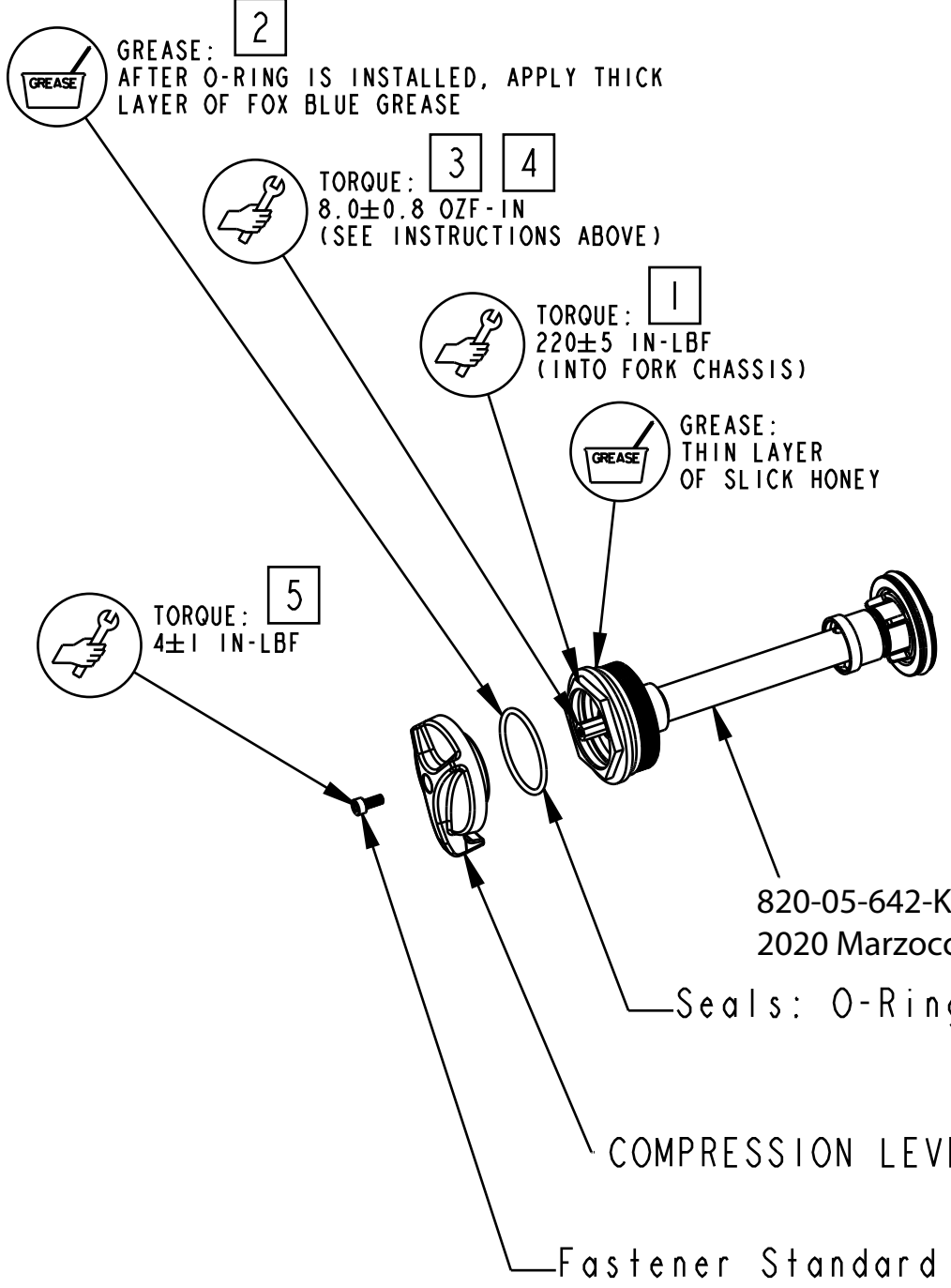
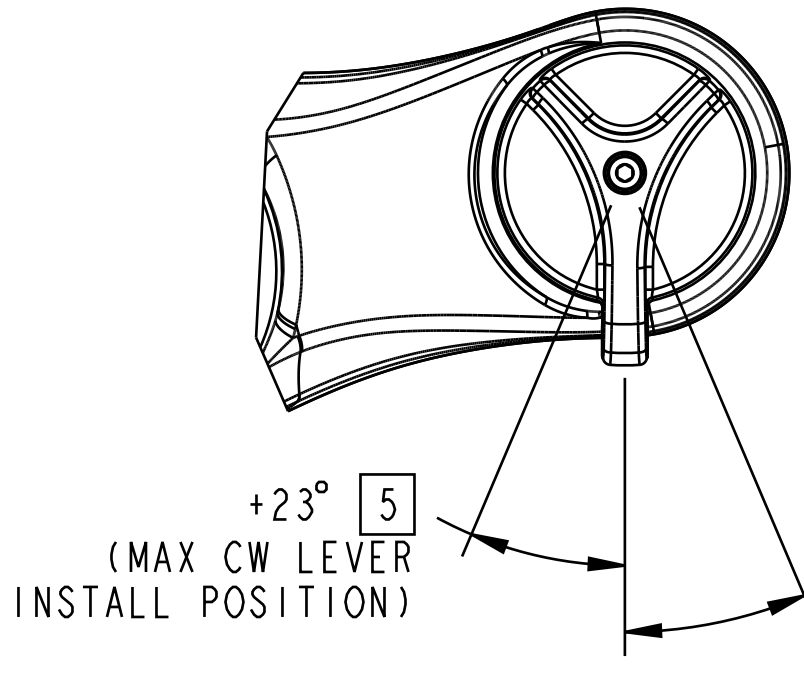


PROPRIETARY  
THIS DOCUMENT CONTAINS CONFIDENTIAL, PROPRIETARY INFORMATION  
THAT IS FOX PROPERTY. DO NOT DISCLOSE TO OR DUPLICATE  
FOR OTHERS EXCEPT AS AUTHORIZED BY FOX.

**FINAL TOPCAP AND COMP LEVER INSTALLATION INSTRUCTIONS:**

- 1 AFTER OIL INSTALLATION, CYCLING DAMPER SHAFT AND PULLING DAMPER SHAFT TO FULL TOPOUT, INSTALL AND TORQUE TOPCAP ASSEMBLY TO  $220 \pm 5$  IN-LBF.
- 2 GREASE O-RING INSIDE TOPCAP COUNTERBORE WITH THICK LAYER OF FOX BLUE GREASE
- 3 TORQUE COMPRESSION NEEDLE WITH OCTAGON DRIVER TOOL TO  $2.0$  IN-LBF TO SEAT SHIMS AND COMP HAT, THEN OPEN  $1/4$  TURN. DO NOT COMPRESS FORK.
- 4 TORQUE COMPRESSION NEEDLE TO FINAL  $8.0 \pm 0.8$  OZF-IN.
- 5 INSTALL LEVER TO ENGAGE THE OCTAGON OF THE COMP NEEDLE TO WHICHEVER IS CLOSEST TO 6 O'CLOCK WITHIN  $\pm 23^\circ$  SPEC. IF THE CLOSEST ENGAGEMENT IS CW, AS THE LEVER IS BEING PUSHED DOWN AND THE TAB GETS CLOSE TO THE CROWN, ROTATE THE LEVER CCW TO THE 6 O'CLOCK POSITION BEFORE PUSHING THE LEVER ALL THE WAY DOWN. INSTALL AND TORQUE THE M2.5 SCREW (019-01-115) TO  $4 \pm 1$  IN-LBF.



820-03-636-KIT  
2020 Marzocchi Z2 34 E-Bike+ RAIL 100-150 Damper Shaft Assy Complete

Retaining Ring: Internal, Smalley HHM-31-S02, Hoopster, 302 SS

Rebound Knob, 2020 Marzocchi Z2 Rail Damper

Fastener, Standard: Screw [#8-32 X 0.250 TLG] 303 SS, Socket Set Half Dog Point

Fastener, Custom: Washer [8.26mm ID x 14.75mm OD x 0.79mm TH]

Fastener, Custom: M8x1.0 Fine Thread Flanged Nut

820-05-615-KIT  
2020 Marzocchi Z2 34 Rail Bottom Stud Interface Parts

820-05-642-KIT  
2020 Marzocchi Z2 34 E-Bike+ RAIL Topcap Comp Assy, Black Ano

Seals: O-Ring [22.5mm X 1.5mm CS] Metric, N-70, Static

COMPRESSION LEVER 5

Fastener Standard (Metric): Screw [M2.5 X 6mm] Socket Head Cap, SS

GREASE: THIN LAYER OF SLICK HONEY

IMPORTANT: INSPECT 100% THAT RETAINING RING IS FULLY INSTALLED INTO GROOVE FULL 360°

GREASE: THIN LAYER OF SLICK HONEY

TORQUE:  $50 \pm 5$  IN-LBF (INTO FORK CHASSIS)

TORQUE:  $5.0 \pm 0.5$  IN-LBF

TORQUE:  $220 \pm 5$  IN-LBF (INTO FORK CHASSIS)

GREASE: AFTER O-RING IS INSTALLED, APPLY THICK LAYER OF FOX BLUE GREASE

TORQUE:  $8.0 \pm 0.8$  OZF-IN (SEE INSTRUCTIONS ABOVE)

TORQUE:  $220 \pm 5$  IN-LBF (INTO FORK CHASSIS)

GREASE: THIN LAYER OF SLICK HONEY

TORQUE:  $4 \pm 1$  IN-LBF

<b>2022 Fox E-SUV 34 E-Bike+ RAIL 100-150 Travel Cart Assy Complete</b>	
SIZE C	PART NO. <b>820-18-435-KIT</b>
PLOT SCALE 1:1	SHEET 1 OF 1