

4

3

2

1

D

D

C

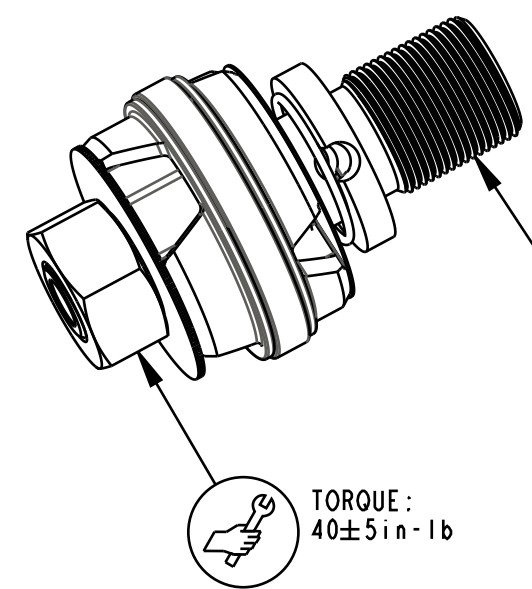
C

B

B

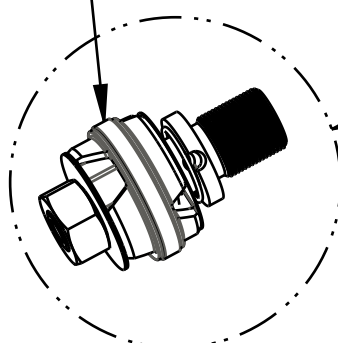
A

A

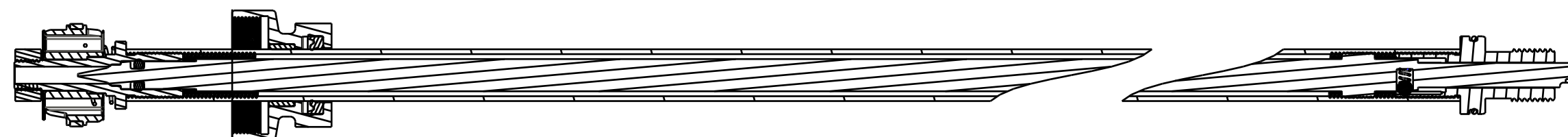
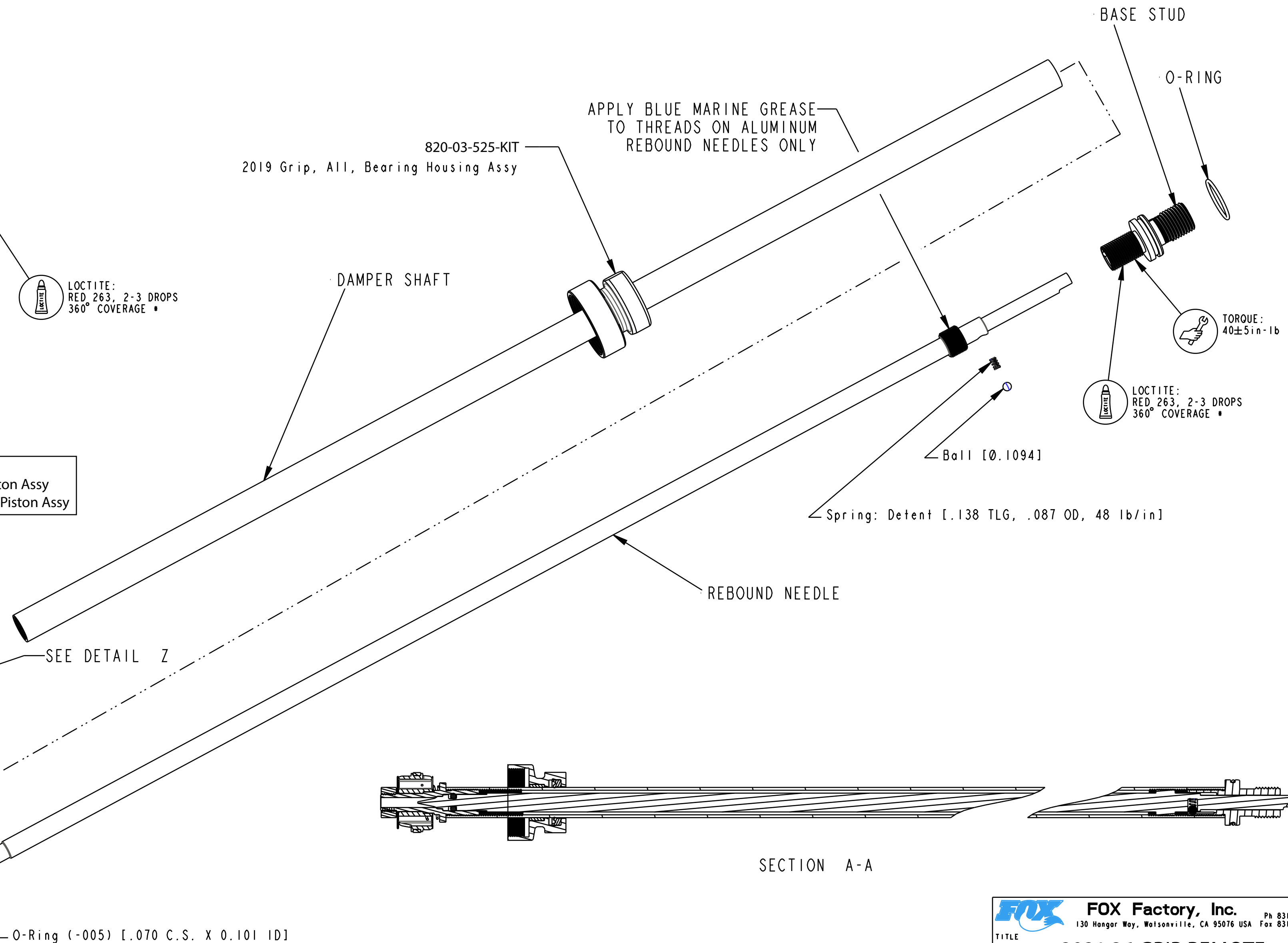


DETAIL Z
SCALE 2:1

REBOUND PISTON ASSEMBLIES:
820-03-330-KIT: 2017 Grip Rebound Piston Assy
820-03-591-KIT: 2019 Grip E-Bike Rebound Piston Assy



SEE DETAIL Z



SECTION A-A

- PROPRIETARY -
THIS DOCUMENT CONTAINS CONFIDENTIAL, PROPRIETARY INFORMATION
THAT IS FOX PROPERTY. DO NOT DISCLOSE TO OR DUPLICATE
FOR OTHERS EXCEPT AS AUTHORIZED BY FOX.

	FOX Factory, Inc. 130 Hangar Way, Watsonville, CA 95076 USA Ph 831-768-1100 Fax 831-768-9312
	TITLE 2021 36 GRIP REMOTE DAMPER SHAFT ASSEMBLIES
SIZE C	DWG. NO. 1
PLOT SCALE 1:1	SHEET 1 OF 1