

REFERENCE ONLY
(FOR INSTALLATION
INTO FORK)

TORQUE:
110 ±5
IN-LBS

REBOUND KNOB

LOCTITE:
BLUE 242
ONE DROP

Fastener, Standard: Screw [#8-32 X 0.250 TLG]

TORQUE:
5.0±1.0 IN. LB.

241-00-022
Fastener, Custom: Nut, Bottom, 011

241-01-011
Fastener, Custom: Crush Washer, Plastic, 13mm

820-05-377-KIT
2016 FIT4 Bottom Stud Interface Parts 36, 38 and 40

TOPCAP INTERFACE PARTS:
820-05-456-KIT: 2018 FIT4 TopCap Interface Parts F-S Remote, U-Cup, Push-Lock
820-05-455-KIT: 2018 FIT4 TopCap Interface Parts F-S Remote, U-Cup, Push-Unlock

REMOTE HOUSING

REFERENCE ONLY
(FOR INSTALLATION
INTO FORK)

TORQUE:
220±5 IN. LB.

GREASE:
THIN LAYER OF
BLUE MARINE GREASE

TORSION SPRING

Bearing, Roller, 14mm OD x 7mm ID x 3.5mm TLG

Set Screw [M4x4mm], SST, Cup Point, Patchlock

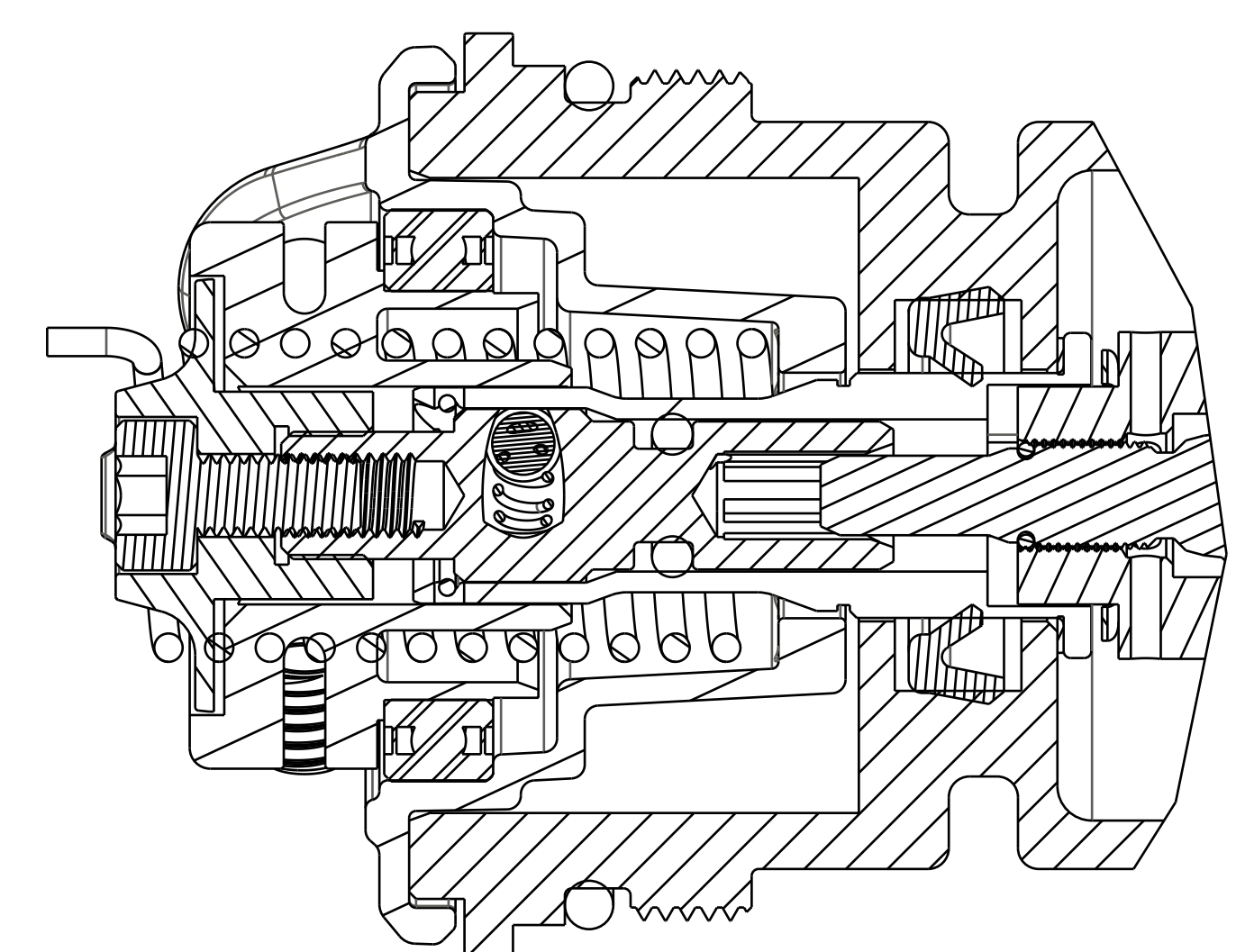
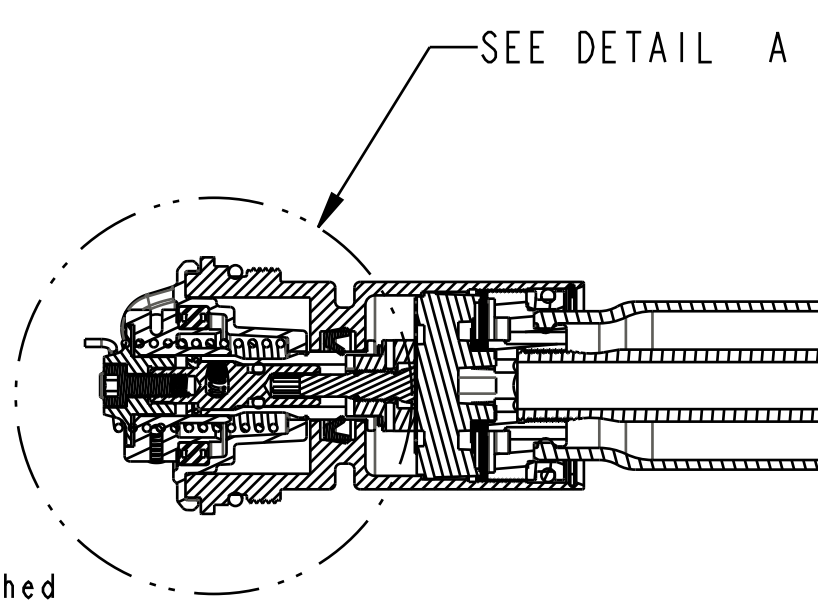
Cable Pulley, Remote, LSC, FIT4, Bearing, Thru Broached

Remote Compression Adjust Knob, F-S, FIT4

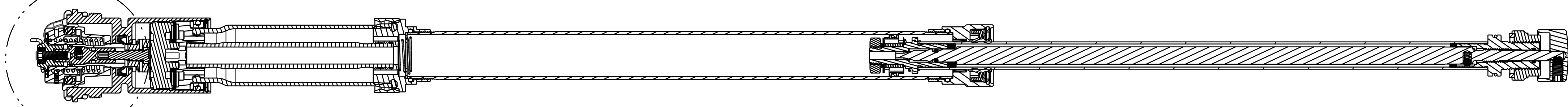
Fastener, Standard (Metric): Screw [M3 X 6mm] SHCS, Patchlock

TORQUE:
11±3 IN. LB.

IMPORTANT:
DO NOT ALLOW PULLEY
TO ROTATE WHILE TORQUING



DETAIL A
SCALE 4:1



SECTION A-A

FOX Factory, Inc. Ph 831-768-1100
130 Hangar Way, Watsonville, CA 95076 USA Fax 831-768-9312

TITLE
2021 36 FIT4 F-S REMOTE
CARTRIDGE ASSEMBLIES COMPLETE

SIZE DWG. NO.
D

PLOT SCALE 1.00:1 SHEET 1 OF 1

PROPRIETARY - PROPRIETARY INFORMATION
THIS DOCUMENT CONTAINS CONFIDENTIAL, PROPRIETARY INFORMATION
THAT IS FOR PROPERTY USE ONLY. DO NOT DISCLOSE TO OR DUPLICATE
FOR OTHERS EXCEPT AS AUTHORIZED BY FOX.