

4

3

2

1

D

D

C

C

B

B

A

A

Valve: Metric [17.35mm OD X 7mm ID X 0.15mm THK]

* PISTON ORIENTATION IS CRITICAL
SMALL PORTS FACE NUT

Damping Adj Part: Piston Stud, 6mm

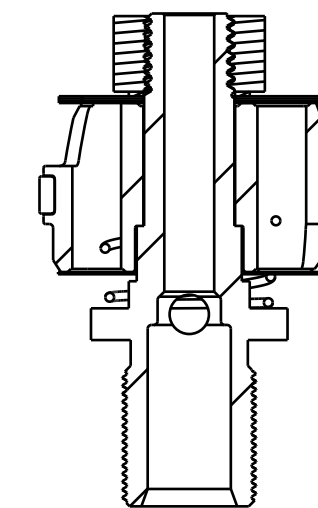
Spring: Rebound Check, 09 36_40

Bearing, External: Glide Ring, Molded, Z-Cut, Grip

Piston, Damping, Rebound, MIM, 20.0 Bore

Fastener, Standard (Metric), Nut, M6 x .75

REBOUND VALVING ASSEMBLIES:
 820-03-457-KIT: 2017 Grip Rebound Valving, Long Travel
 820-03-456-KIT: 2017 Grip Rebound Valving, Short Travel
 820-03-645-KIT: 2020 Grip Rebound Valving, Light Tune



SECTION A-A

- PROPRIETARY -
 THIS DOCUMENT CONTAINS CONFIDENTIAL, PROPRIETARY INFORMATION
 THAT IS FOX PROPERTY. DO NOT DISCLOSE TO OR DUPLICATE
 FOR OTHERS EXCEPT AS AUTHORIZED BY FOX.

FOX **FOX Factory, Inc.** Ph 831-768-1100
 130 Hangar Way, Watsonville, CA 95076 USA Fax 831-768-9312

TITLE
2022 34 GRIP REBOUND PISTON ASSEMBLIES

SIZE DWG. NO.
C
 PLOT SCALE 2.00:1 SHEET 1 OF 1

4

3

2

1