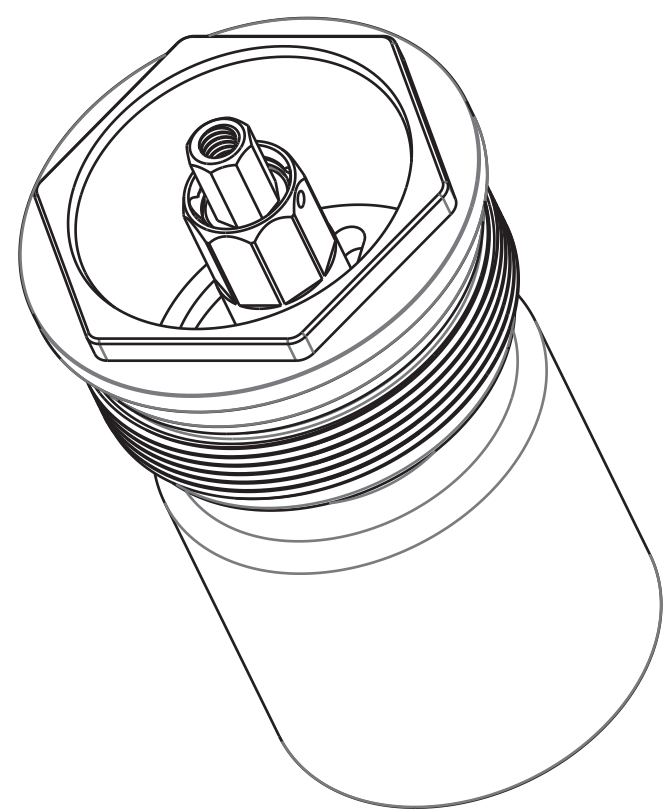


4

3

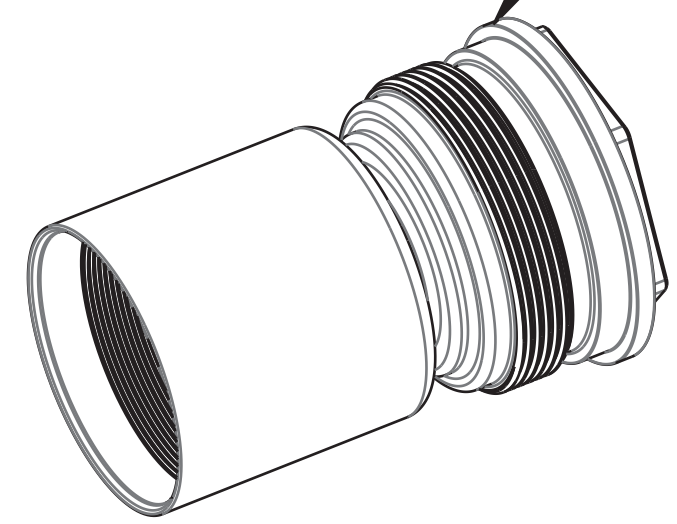
2

1



820-03-258-KIT
2017 FIT4 Lightweight Top Cap Parts

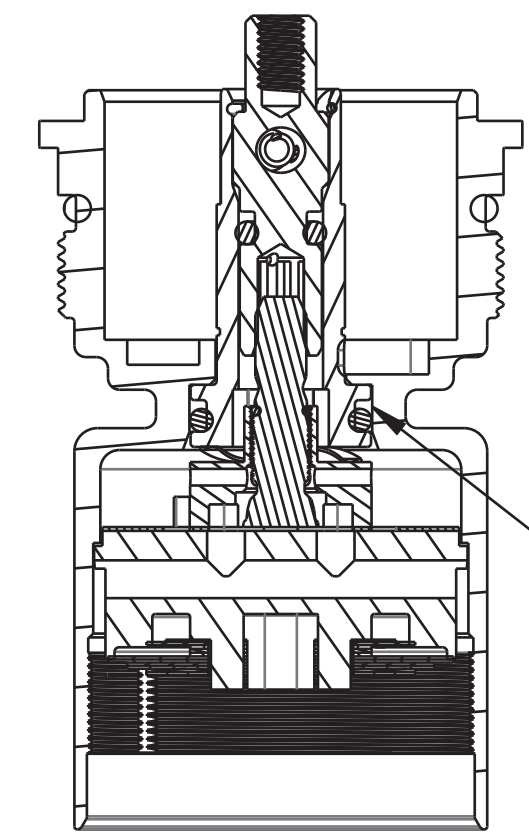
TOPCAP BODY



TOPCAP O-RING



820-03-575-KIT
2019 FIT4 SC Compression Valving Assy, 8mm Shaft



GREASE:
APPLY SLICK HONEY TO INSIDE
OF TOPCAP BORE BEFORE ASSEMBLY

FOX FOX Factory, Inc.		Ph 831-768-1100
130 Hangar Way, Watsonville, CA 95076 USA		Fax 831-768-9312
TITLE		
2021 32 SC FIT4 Topcap Assy, 3 Pos Adj		
SIZE	DWG. NO.	
C	820-05-658-KIT	
PLOT SCALE .50:1		SHEET OF 1

- PROPRIETARY -
THIS DOCUMENT CONTAINS CONFIDENTIAL, PROPRIETARY INFORMATION
THAT IS FOX PROPERTY. DO NOT DISCLOSE TO OR DUPLICATE
FOR OTHERS EXCEPT AS AUTHORIZED BY FOX.

4

3

2

1

ProE ASSEM