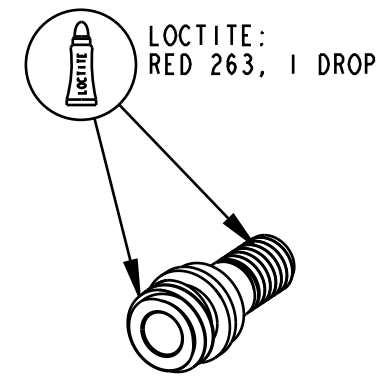


4

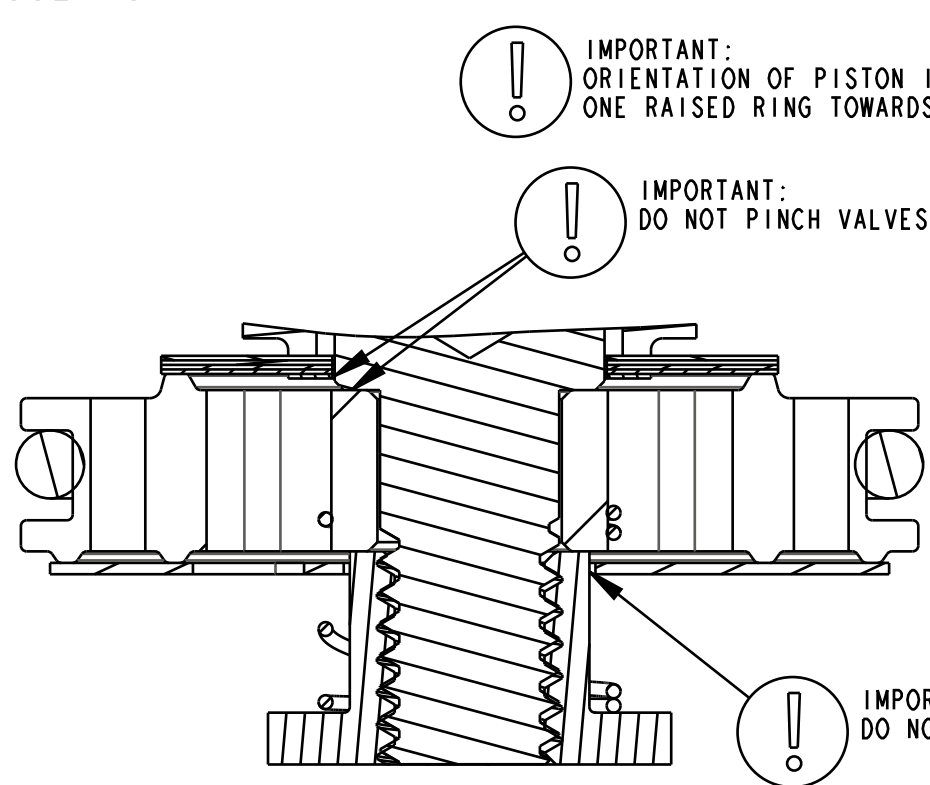
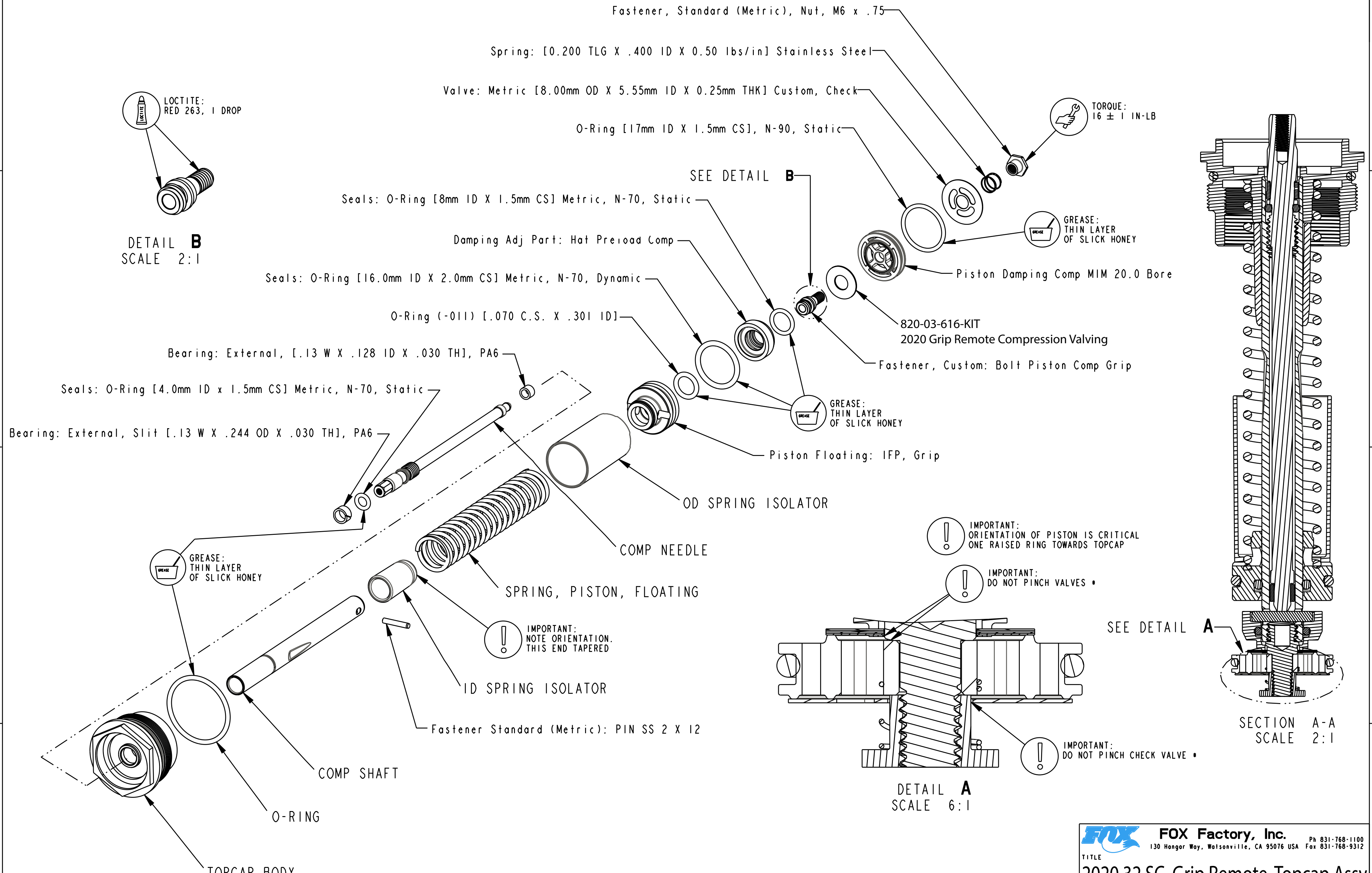
3

2

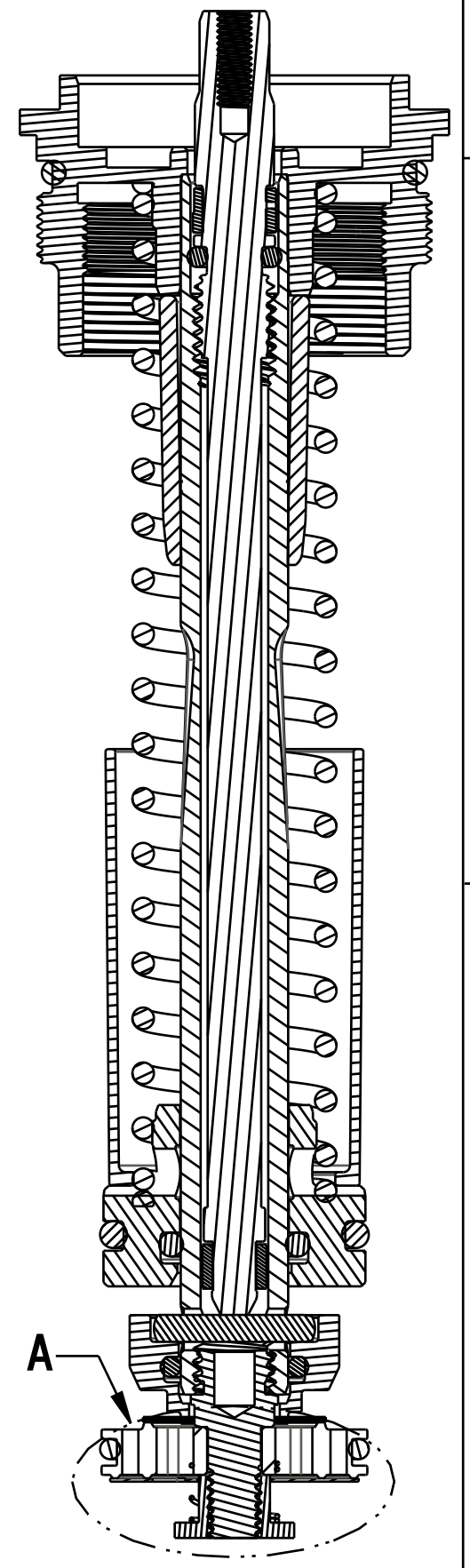
1



DETAIL B
SCALE 2:1



SEE DETAIL A



- PROPRIETARY -
THIS DOCUMENT CONTAINS CONFIDENTIAL, PROPRIETARY INFORMATION
THAT IS FOX PROPERTY. DO NOT DISCLOSE TO OR DUPLICATE
FOR OTHERS EXCEPT AS AUTHORIZED BY FOX.

FOX Factory, Inc. Ph 831-768-1100
130 Hangar Way, Watsonville, CA 95076 USA Fax 831-768-9312

TITLE
2020 32 SC, Grip Remote, Topcap Assy

SIZE DWG. NO. **820-05-604-KIT**

PLOT SCALE 1:1 SHEET 1 OF 1