

4

3

2

1

D

D

C

C

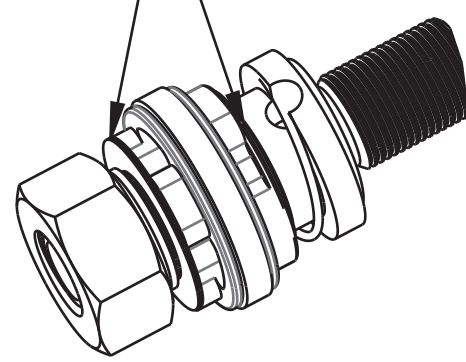
B

B

A

A

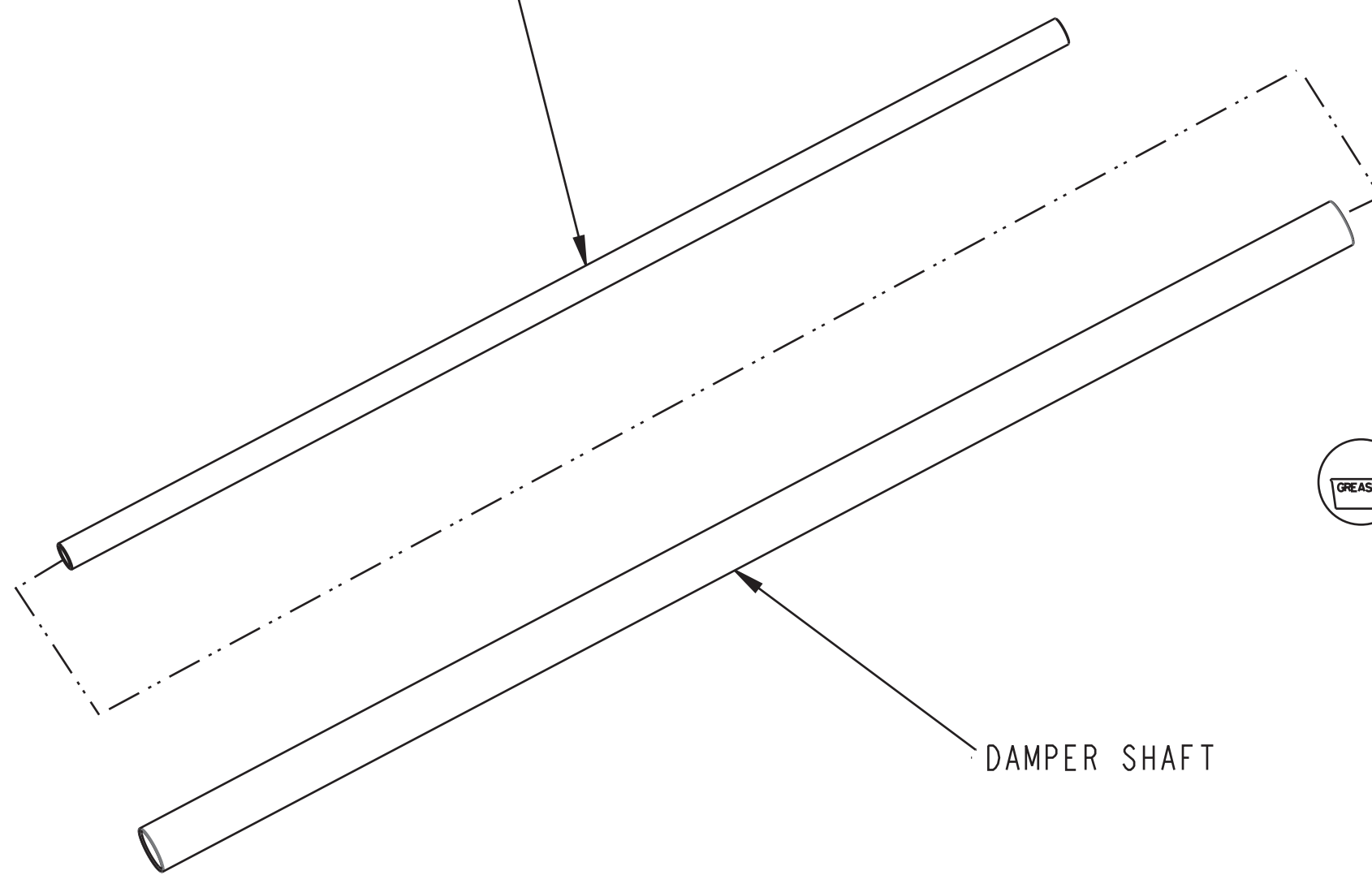
IMPORTANT:  
ENSURE VALVES ARE NOT  
PINCHED DURING ASSEMBLY



DETAIL A  
SCALE 2.000

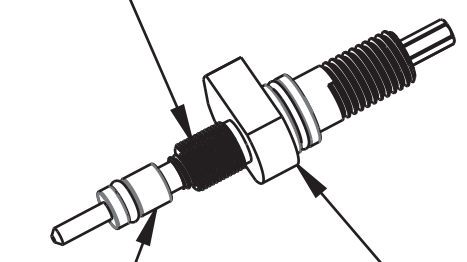
820-03-569-KIT  
Sealhead Assy, 2019 FIT [8mm, M17.56] Trelleborg, O-Ring

REBOUND TUBE



DAMPER SHAFT

LOCTITE:  
RED 263, 1 DROP



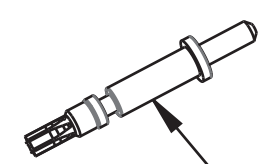
TORQUE:  
30±5 IN LBS

820-03-562-KIT  
2019 34 SC FIT4 Rebound Adjuster Assy, 8mm Shaft

GREASE:  
THIN LAYER SLICK  
HONEY ON BULLET TOOL

SEE DETAIL A

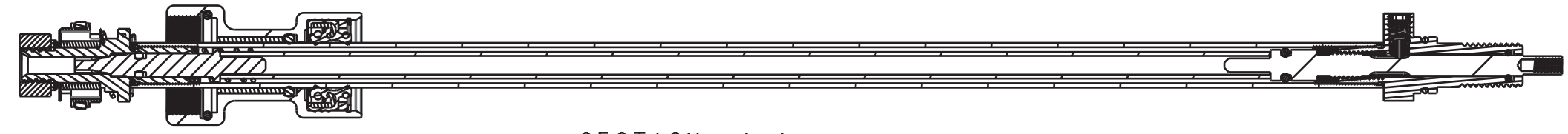
GREASE:  
THIN LAYER  
SLICK HONEY



Needle, Rebound, 2019 FIT4, 8mm

Spring: [0.688 TLG X 0.150 ID X 22.0 lbs/in] Stainless Steel

Seals: O-Ring [2.0 MM ID x 1.5 MM CS] Metric, N-60, Static



SECTION A-A

TORQUE:  
30±5 IN LBS

820-03-563-KIT  
2019 SC FIT4 Rebound Piston Assy, 8mm Shaft

- PROPRIETARY -  
THIS DOCUMENT CONTAINS CONFIDENTIAL, PROPRIETARY INFORMATION  
THAT IS FOX PROPERTY. DO NOT DISCLOSE TO OR DUPLICATE  
FOR OTHERS EXCEPT AS AUTHORIZED BY FOX.

**FOX** FOX Factory, Inc. Ph 831-768-1100  
130 Hangar Way, Watsonville, CA 95076 USA Fax 831-768-9312

TITLE  
2019 32 SC 27.5in and 29in 100 Max  
FIT4 Damper Shaft Assy, 8mm Shaft

SIZE DWG. NO. 820-03-574-KIT

PLOT SCALE | .00:1 | SHEET 1 OF 1

4

3

2

1

ProE ASSEM