

4

3

2

1

Compression Piston Clamp, FIT4, Lightweight

Valve: Metric [15mm OD X 8mm ID X .15mm]

Spring, Comp. Check

Valve: [.600 OD X 0.377 ID X 0.012 TH]

Retaining Ring: Snap, Smalley, Internal, VH-62 , Ø.610 Bore

OIL: THIN LAYER OF FOX MX5 DAMPER OIL ON OD AND ID

IMPORTANT: THIN VALVE FACES COMPRESSION CLAMP

IMPORTANT: SMALL DIAMETER OF SPRING FACES COMPRESSION CLAMP

IMPORTANT: THICKER VALVE FACES RETAINING RING

IMPORTANT: ENSURE RETAINING RING FULLY SEATED FULL 360 DEG

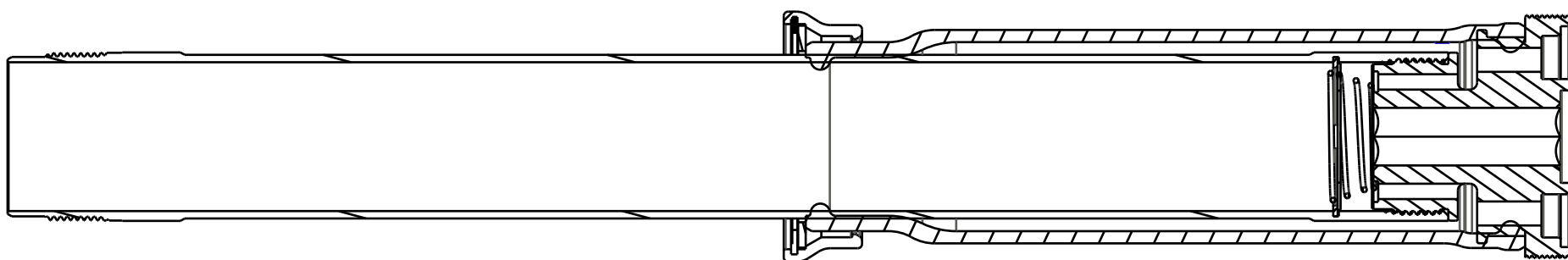
PRESSURE TUBE

BLADDER

Lower Bladder Ring, Snap Ring, 011 RC2

Bladder retainer, 011 RC2

Retaining Ring: Snap, Smalley, Internal, Custom, Ø.923 BORE



- PROPRIETARY - THIS DOCUMENT CONTAINS CONFIDENTIAL, PROPRIETARY INFORMATION THAT IS FOX PROPERTY. DO NOT DISCLOSE TO OR DUPLICATE FOR OTHERS EXCEPT AS AUTHORIZED BY FOX.

**FOX** **FOX Factory, Inc.** Ph 831-768-1100  
 130 Hangar Way, Watsonville, CA 95076 USA Fax 831-768-9312

TITLE 2017 32 27.5in and 29in 80-100  
 FIT4 Lightweight, Bladder Assy

SIZE DWG. NO. **C** 820-03-281-KIT

PLOT SCALE | .50:1 | SHEET 1 OF 1