

4

3

2

1

TOPCAP ASSEMBLIES:
 820-05-659-KIT: 2021 32 SC FIT4 Topcap Assy, Remote U-Cup, 2 Position, Push-Unlock
 820-05-660-KIT: 2021 32 SC FIT4 Topcap Assy, Remote U-Cup, 2 Position, Push-Lock
 820-05-661-KIT: 2021 32 SC FIT4 Topcap Assy, Remote U-Cup, 3 Position

ASSEMBLE 002-02-011 AT THIS LEVEL

Retaining Ring: Wire [.280 OD X .024 CS] SS

Compression Adjust Coupler, F-S, FIT4

TORQUE:
55±5 IN LBS



Seals: O-Ring [3.0MM ID x 1.5MM CS] Metric, N-70, Static

Spring: Detent [.138 TLG, .087 OD, 48 lb/in]

Ball [Ø.1094]

GREASE:
THIN LAYER OF
SLICK HONEY ON BALL

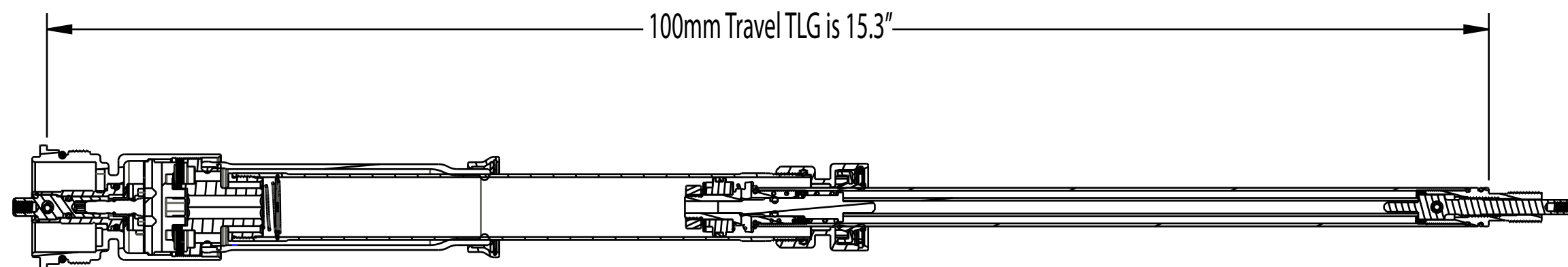


ASSEMBLE THESE PARTS AFTER OIL FILL

820-03-281-KIT
2017 32 27.5in and 29in 80-100 FIT4 Lightweight, Bladder Assy

820-03-574-KIT
2019 32 SC 27.5in and 29in 100 Max FIT4
Damper Shaft Assy, 8mm Shaft

TORQUE:
55±5 IN LBS



SECTION A-A
SCALE 0.750

- PROPRIETARY -
THIS DOCUMENT CONTAINS CONFIDENTIAL, PROPRIETARY INFORMATION
THAT IS FOX PROPERTY. DO NOT DISCLOSE TO OR DUPLICATE
FOR OTHERS EXCEPT AS AUTHORIZED BY FOX.

	FOX Factory, Inc. 130 Hangar Way, Watsonville, CA 95076 USA Ph 831-768-1100 Fax 831-768-9312
	2021 32 SC 100 MAX FIT4 Remote Cart Assys
SIZE DWG. NO. C	SHEET 1 OF 1
PLOT SCALE 1.0:1	ProE ASSEM

4

3

2

1

ProE ASSEM