

Seals: O-Ring [(-005) .070 C.S X .101 ID] Standard, N-70, Static

2021, Transfer Main Piston

Retaining Ring: [.333 OD, .025 W, .015 T] 18-8 SS

Piston Washer

GREASE:
THIN LAYER
OF SLICK HONEY

GREASE:
THIN LAYER
OF SLICK HONEY

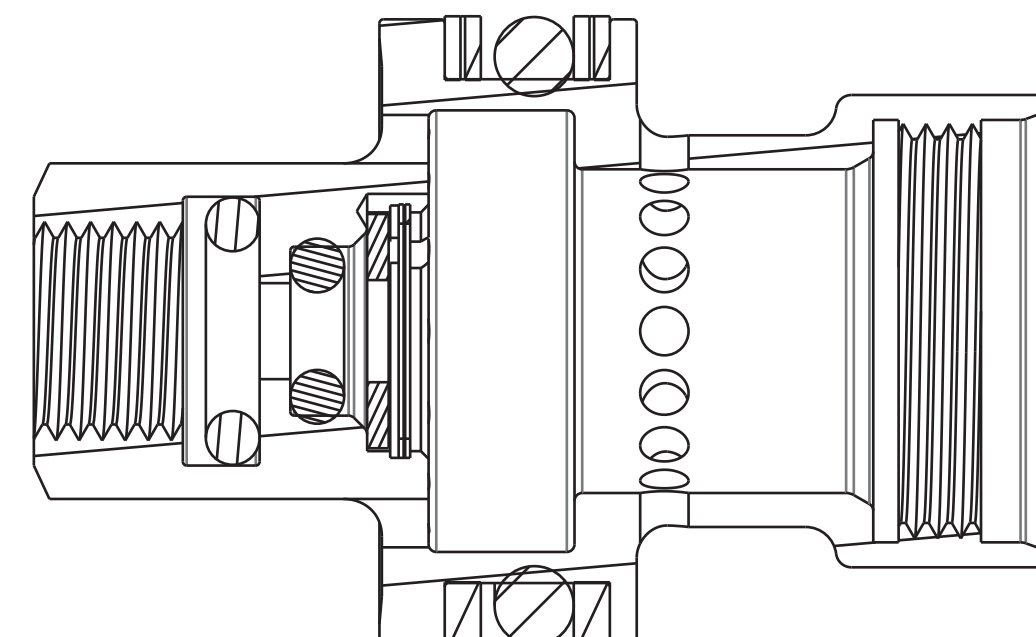
GREASE:
THIN LAYER
OF SLICK HONEY

Seals: O-Ring [(-009) .070 C.S. X .208 ID] Standard N-70 Static

Backup Ring: [.820 OD, .083 W, .037 Th], TFM

Seals: O-Ring [(-114) .103 C.S. X .612 ID]
Standard N674-70, Dynamic

Backup Ring: [.820 OD, .083 W, .037 Th], TFM



SECTION A-A

- PROPRIETARY -
THIS DOCUMENT CONTAINS CONFIDENTIAL, PROPRIETARY INFORMATION
THAT IS FOX PROPERTY. DO NOT DISCLOSE TO OR DUPLICATE
FOR OTHERS EXCEPT AS AUTHORIZED BY FOX.

FOX **FOX Factory, Inc.** Ph 831-768-1100
130 Hangar Way, Watsonville, CA 95076 USA Fax 831-768-9312

TITLE
Transfer RL
Piston, Sub Assy

SIZE DWG. NO. **C** 825-00-097-KIT

PLOT SCALE 4:1 SHEET 1 OF 1