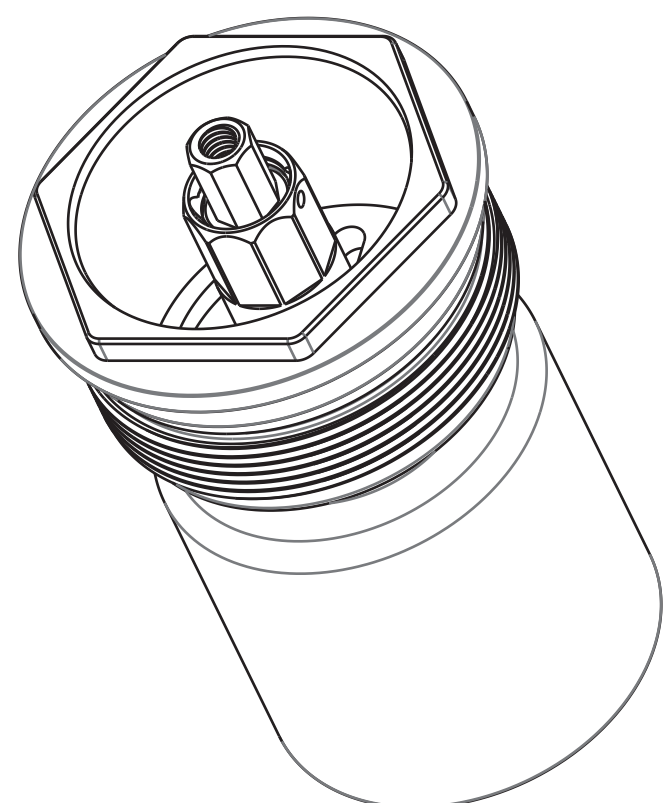


4

3

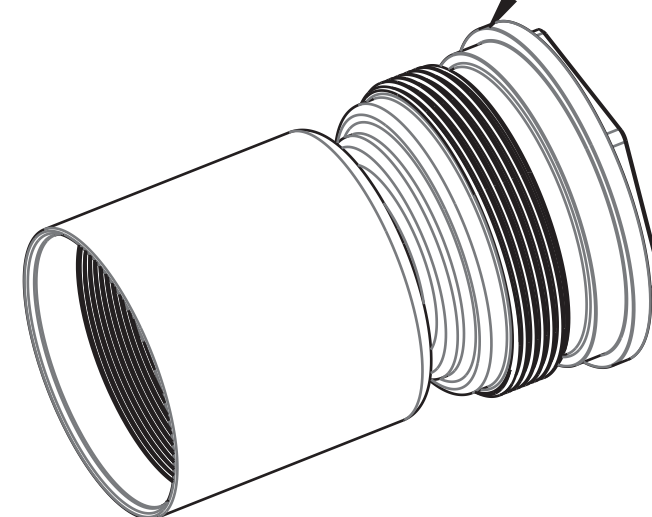
2

1



820-03-258-KIT  
2017 FIT4 Lightweight Top Cap Parts

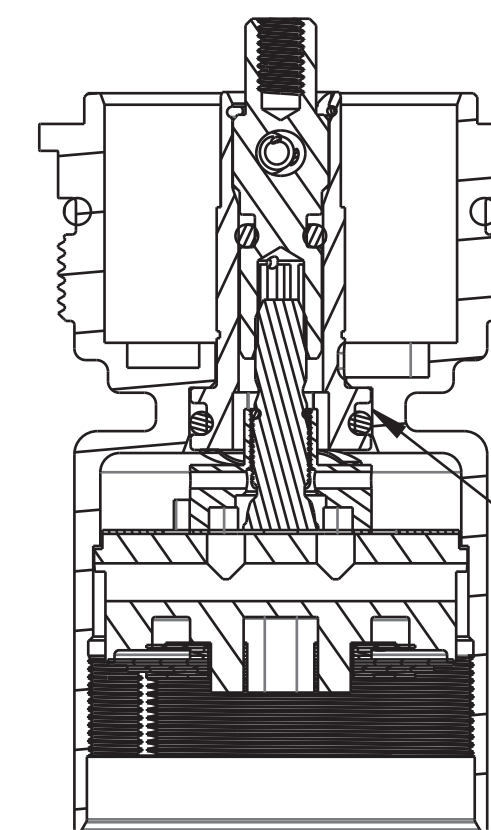
TOPCAP BODY



TOPCAP O-RING



820-03-613-KIT  
2020 FIT4 Compression Valving Assy, 8mm Shaft



GREASE:  
APPLY SLICK HONEY TO INSIDE  
OF TOPCAP BORE BEFORE ASSEMBLY

**FOX** FOX Factory, Inc. Ph 831-768-1100  
130 Hangar Way, Watsonville, CA 95076 USA Fax 831-768-9312

TITLE  
2021 38 FIT4 Topcap Assy,  
Black Ano, 3 Pos Adj

SIZE DWG. NO.  
C 820-05-628-KIT

PLOT SCALE | .50 : 1 |

SHEET 1 OF 1

- PROPRIETARY -  
THIS DOCUMENT CONTAINS CONFIDENTIAL, PROPRIETARY INFORMATION  
THAT IS FOX PROPERTY. DO NOT DISCLOSE TO OR DUPLICATE  
FOR OTHERS EXCEPT AS AUTHORIZED BY FOX.

4

3

2

1