

4

3

2

1

D

D

C

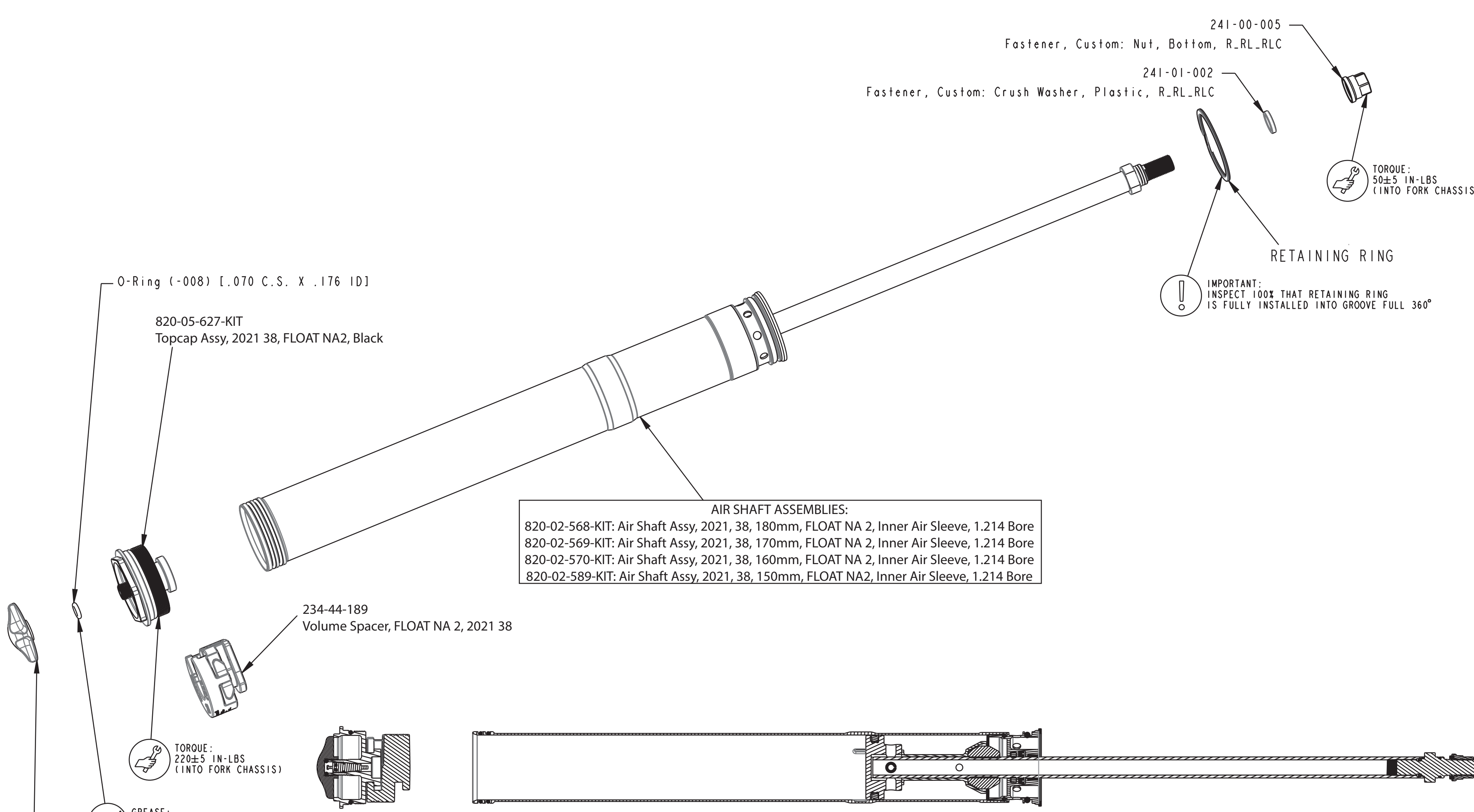
C

B

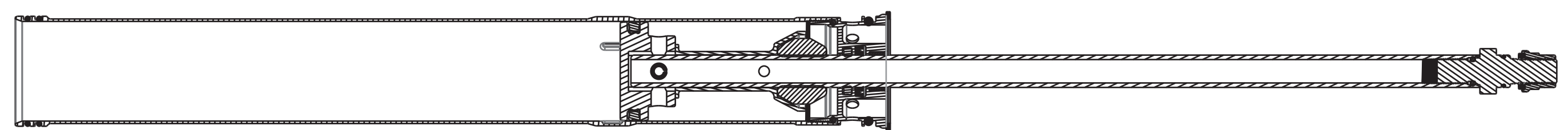
B

A

A



AIR SHAFT ASSEMBLIES:
820-02-568-KIT: Air Shaft Assy, 2021, 38, 180mm, FLOAT NA 2, Inner Air Sleeve, 1.214 Bore
820-02-569-KIT: Air Shaft Assy, 2021, 38, 170mm, FLOAT NA 2, Inner Air Sleeve, 1.214 Bore
820-02-570-KIT: Air Shaft Assy, 2021, 38, 160mm, FLOAT NA 2, Inner Air Sleeve, 1.214 Bore
820-02-589-KIT: Air Shaft Assy, 2021, 38, 150mm, FLOAT NA2, Inner Air Sleeve, 1.214 Bore



SECTION A-A

- PROPRIETARY -
THIS DOCUMENT CONTAINS CONFIDENTIAL, PROPRIETARY INFORMATION
THAT IS FOX PROPERTY. DO NOT DISCLOSE TO OR DUPLICATE
FOR OTHERS EXCEPT AS AUTHORIZED BY FOX.

FOX	FOX Factory, Inc.	Ph 831-768-1100
	130 Hangar Way, Watsonville, CA 95076 USA	Fax 831-768-9312
TITLE	2021 38 FLOAT NA2 AIR SPRING ASSEMBLIES	
SIZE	DWG. NO.	
C		
PLOT SCALE	NONE	SHEET 1 OF 1

4

3

2

1