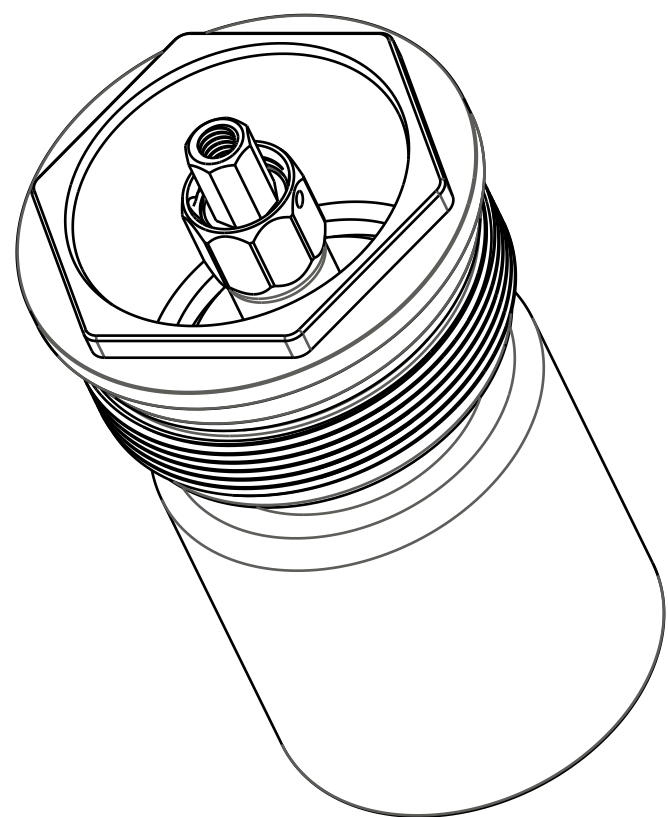


4

3

2

1



TOPCAP BODY

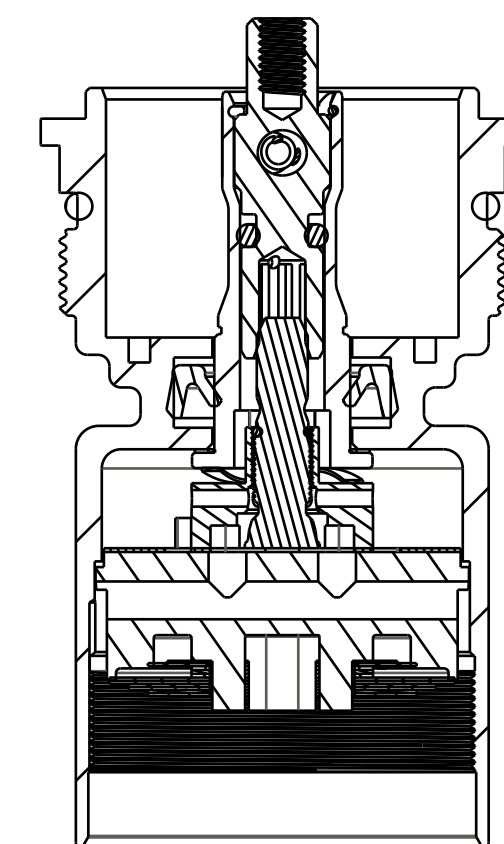
GREASE:
THIN LAYER
OF SLICK HONEY

TOPCAP O-RING

Seals: U-cup, Low Friction, 9mm Shaft

TOPCAP PARTS:
 820-03-539-KIT: 2018 FIT4 Lightweight F-S Top Cap Parts, Remote, U-Cup, Push-Lock
 820-03-534-KIT: 2018 FIT4 Lightweight F-S Top Cap Parts, Remote, U-Cup

820-03-613-KIT
 2020 FIT4 Compression Valving Assy, 8mm Shaft



FOX **FOX Factory, Inc.** Ph 831-768-1100
 130 Hangar Way, Watsonville, CA 95076 USA Fax 831-768-9312

TITLE
**2021 38 FIT4 REMOTE
 TOPCAP ASSEMBLIES**

SIZE DWG. NO.

C

PLOT SCALE | .50:1

SHEET 1 OF 1

- PROPRIETARY -
 THIS DOCUMENT CONTAINS CONFIDENTIAL, PROPRIETARY INFORMATION
 THAT IS FOX PROPERTY. DO NOT DISCLOSE TO OR DUPLICATE
 FOR OTHERS EXCEPT AS AUTHORIZED BY FOX.

4

3

2

PrøE ASSEM