

4

3

2

1

D

D

C

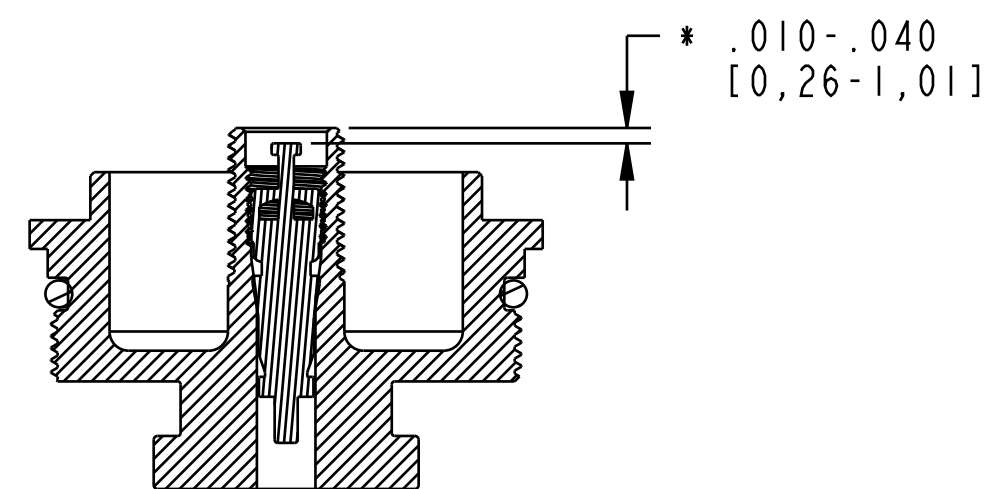
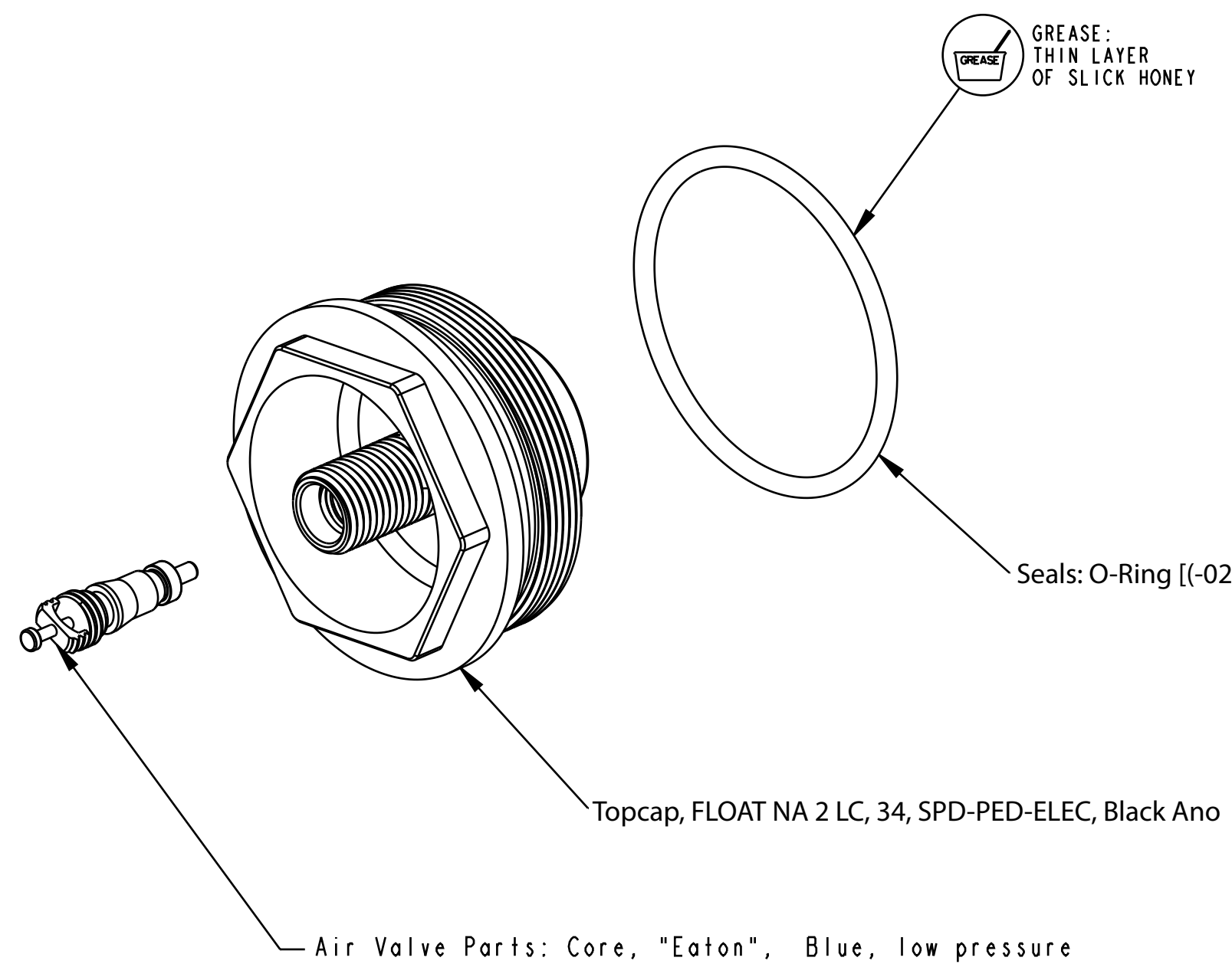
C

B

B

A

A



SECTION A-A

- PROPRIETARY -  
THIS DOCUMENT CONTAINS CONFIDENTIAL, PROPRIETARY INFORMATION  
THAT IS FOX PROPERTY. DO NOT DISCLOSE TO OR DUPLICATE  
FOR OTHERS EXCEPT AS AUTHORIZED BY FOX.

**FOX** FOX Factory, Inc. Ph 831-768-1100  
130 Hangar Way, Watsonville, CA 95076 USA Fax 831-768-9312

TITLE Topcap Assy, 2018 FLOAT LC  
NA2, 34, SPD-PED-ELEC, Black

SIZE DWG. NO. C 820-05-420-KIT

PLOT SCALE 2.00:1 SHEET 1 OF 1

4

3

2

1