

4

3

2

1

D

D

C

C

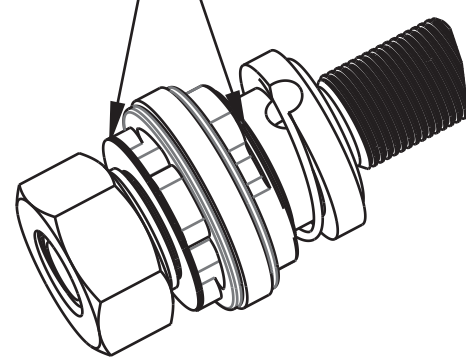
B

B

A

A

IMPORTANT:
ENSURE VALVES ARE NOT
PINCHED DURING ASSEMBLY



DETAIL A
SCALE 2.000

820-03-569-KIT
Sealhead Assy, 2019 FIT [8mm, M17.56] Trelleborg, O-Ring

204-74-036
Rebound Tube: (T) Machined, 2020 LIVE, 32 27.5/29 80-100 SC

LOCTITE:
RED 263, 1 DROP
APPLY PER 605-14-175-01

TORQUE:
30±5 IN LBS

820-03-562-KIT
2019 34 SC FIT4 Rebound Adjuster Assy, 8mm Shaft

GREASE:
THIN LAYER SLICK
HONEY ON BULLET TOOL

229-10-636
Shaft, Damper, 8mm, 2020 LIVE, 32 27.5/29in 80-100 SC

SEE DETAIL A

GREASE:
THIN LAYER
SLICK HONEY

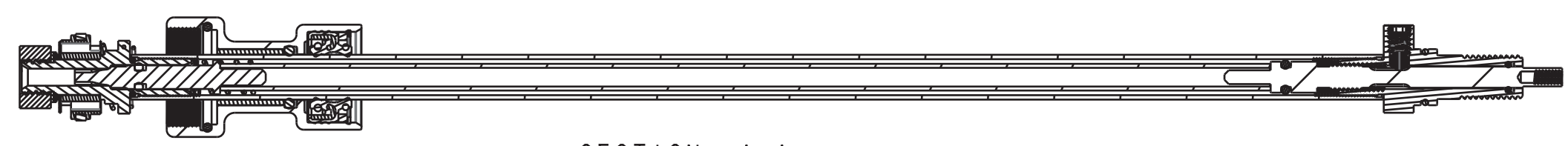
210-24-362
Needle, Rebound, 2019 FIT4, 8mm

039-00-431
Spring: [0.688 TLG X 0.150 ID X 22.0 lbs/in] Stainless Steel

029-08-026
Seals: O-Ring [2.0 MM ID x 1.5 MM CS] Metric, N-60, Static

TORQUE:
30±5 IN LBS

820-03-610-KIT
2020 FIT4 Rebound Piston Assy, 8mm Shaft



SECTION A-A

- PROPRIETARY -
THIS DOCUMENT CONTAINS CONFIDENTIAL, PROPRIETARY INFORMATION
THAT IS FOX PROPERTY. DO NOT DISCLOSE TO OR DUPLICATE
FOR OTHERS EXCEPT AS AUTHORIZED BY FOX.

FOX **FOX Factory, Inc.** Ph 831-768-1100
 130 Hangar Way, Watsonville, CA 95076 USA Fax 831-768-9312

TITLE
**2020 32 27.5/29in 80-100mm, 8mm,
 Lightweight LIVE Damper Shaft Assy**

SIZE DWG. NO.
C 820-03-620-KIT

PLOT SCALE | .00:1 | SHEET | OF |

4

3

2

1

ProE ASSEM