

FASTENER, STANDARD (METRIC): SCREW [M3 X .5 MM X 3 MM] CUP POINT

Spring: Detent [.180 TLG X .090 OD X 100 lb/in] SS, LHW

Ball [Ø 0.0938] 52100 Grade 25 Steel, Chrome

Seals: O-Ring [2.0 MM ID x 1.5 MM CS] Metric, N-60, Static

Damping Adj Part: Needle, Compression, Parabolic, LIVE [.028in<sup>2</sup> Flow Area], 416

Seals: O-Ring [3.0MM ID x 1.0MM CS] Metric, N-70, Static

IMPORTANT: VERIFY FULL INSTALLATION COMPLETE 360°

CHECK: WIRES MUST EXIT FREELY

CHECK: AUDIBLE DETENTS WHEN TURNED

820-09-032-KIT  
LIVE Valve, Solenoid Assembly, FEMA

210-22-967  
Solenoid Retainer Plate, 2017 LIVE

038-01-074  
Retaining Ring: Wire, Solenoid End Cap, 2017 LIVE

019-01-044

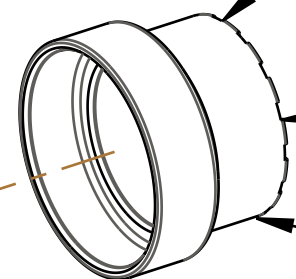
039-00-246

010-01-002-A

029-08-026

210-03-240

029-08-004



IMPORTANT: ENSURE PART TRANSLATES FREELY AFTER INSTALLATION

OIL: COAT ID

210-24-439  
Damping Adj Part: 2019 LIVE Valve, Small Ratio BV Outer Housing, Undamped

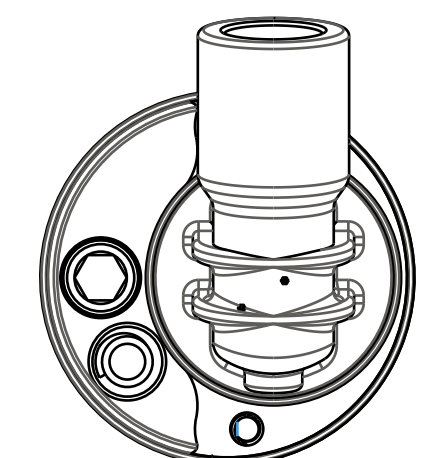
002-02-073  
Bearing: Glide Ring, LIVE Valve BV, Small Diameter

029-08-070  
Seals: O-Ring [12.0MM ID x 1.0MM CS] Metric, N-70, Static

002-02-072  
Bearing: Glide Ring, LIVE Valve BV, Large Diameter

029-08-031  
Seals: O-Ring [14.5MM ID x 1.0MM CS] Metric, N-70, Static

Compression Cartridge Housing, LIVE Valve, Break Away Connector Design, Small Area



USE MX-5 TEFLON SHOCK OIL TO INSTALL ALL O-RINGS AND GLIDE BANDS. DO NOT USE SLICK HONEY

PROPRIETARY - THIS DOCUMENT CONTAINS CONFIDENTIAL, PROPRIETARY INFORMATION THAT IS FOX PROPERTY. DO NOT DISCLOSE TO OR DUPLICATE FOR OTHERS EXCEPT AS AUTHORIZED BY FOX.

FOX Factory, Inc. 130 Hangar Way, Watsonville, CA 95076 USA Ph 831-768-1100 Fax 831-768-9312

TITLE 2019 LIVE Compression Housing Sub Assy

SIZE DWG. NO. C 815-00-077-KIT

PLOT SCALE | .50:1 | SHEET 1 OF 1