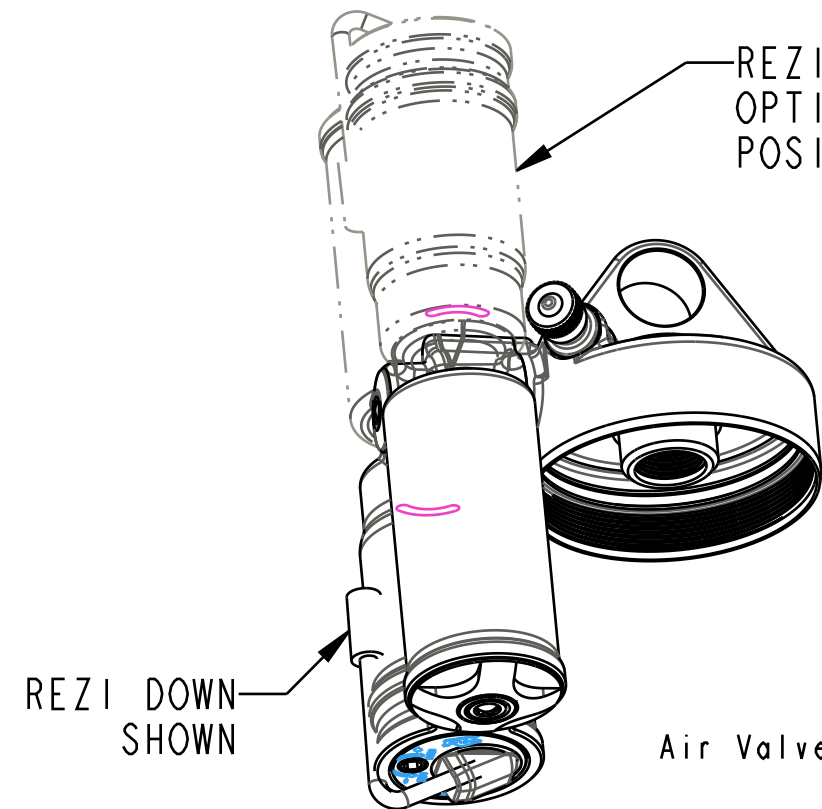


4

3

2

1



REZI UP  
OPTIONAL  
POSITION

REZI DOWN  
SHOWN

SCALE .75:1

Spring: [0.190 TLG X 0.120 OD X 25.6 lbs/in] 17-7 SS, left hand wound

010-01-000  
Ball [Ø 0.1250] Steel

Damping Adjust Part: Knob, RD Adjust [12 Detent, .175 TLG]

802-00-007-KIT  
Air Valve Assy: Slim[M6 X .75, 1.150 TLG]

Air Valve Parts: Cap, Air Valve [1.305-321], Black, 6061

029-08-082  
Seals: O-Ring [5.28mm ID X 1.0mm CS]  
Metric, N-70, Static

060-00-038  
Pin: Dowel [Ø .125 X .1875 TLG] 18-8

029-00-015  
O-Ring (-015) [1.070 C.S. X .551 ID]

O-Ring (-012) [1.070 C.S. X .364 ID]

(029-03-012)

010-01-003  
Ball [Ø 0.1875] Delrin

029-03-012

TORQUE:  
35±5 IN.LB.

GREASE:  
THIN LAYER  
OF BLUE MARINE

Eyelet: 2017 LIVE Trunnion, LV

TORQUE:  
50±5 IN.LB.

029-08-030  
Seals: O-Ring [10.0MM ID x 1.5MM CS] Metric, N-70, Static

GREASE:  
THIN LAYER  
OF SLICK HONEY

810-11-205-KIT  
Reservoir Assy, 2019 Live Valve

029-00-032  
Seals: O-Ring [(-032) .070 C.S. X 1.864 ID] Standard N674-70, Dynamic

241-02-107  
Fastener, Custom: Bolt: (Metric) [M8 X 1.25 X 14] Flat Head Socket Cap Screw

**FOX** FOX Factory, Inc. Ph 831-768-1100  
130 Hangar Way, Watsonville, CA 95076 USA Fax 831-768-9312

TITLE  
**Eyelet Assy: 2019,  
FLOAT LIVE, LV, Trunnion**

SIZE DWG. NO.  
**C 808-17-311-KIT**

PLOT SCALE 1.5:1 SHEET 1 OF 1

PROPRIETARY  
THIS DOCUMENT CONTAINS CONFIDENTIAL, PROPRIETARY INFORMATION  
THAT IS FOX PROPERTY. DO NOT DISCLOSE TO OR DUPLICATE  
FOR OTHERS EXCEPT AS AUTHORIZED BY FOX.

4

3

2

ProE ASSEM