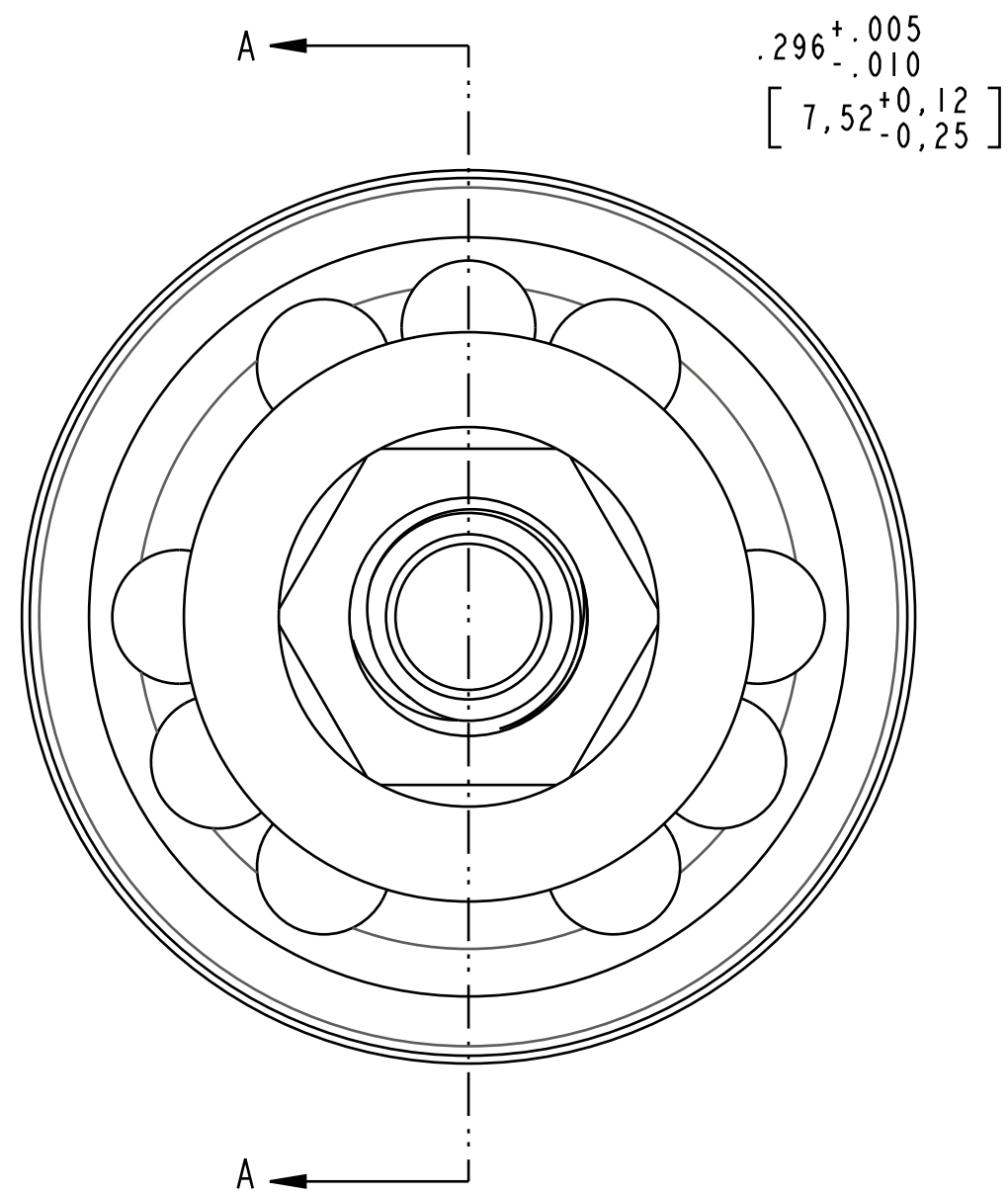


4

3

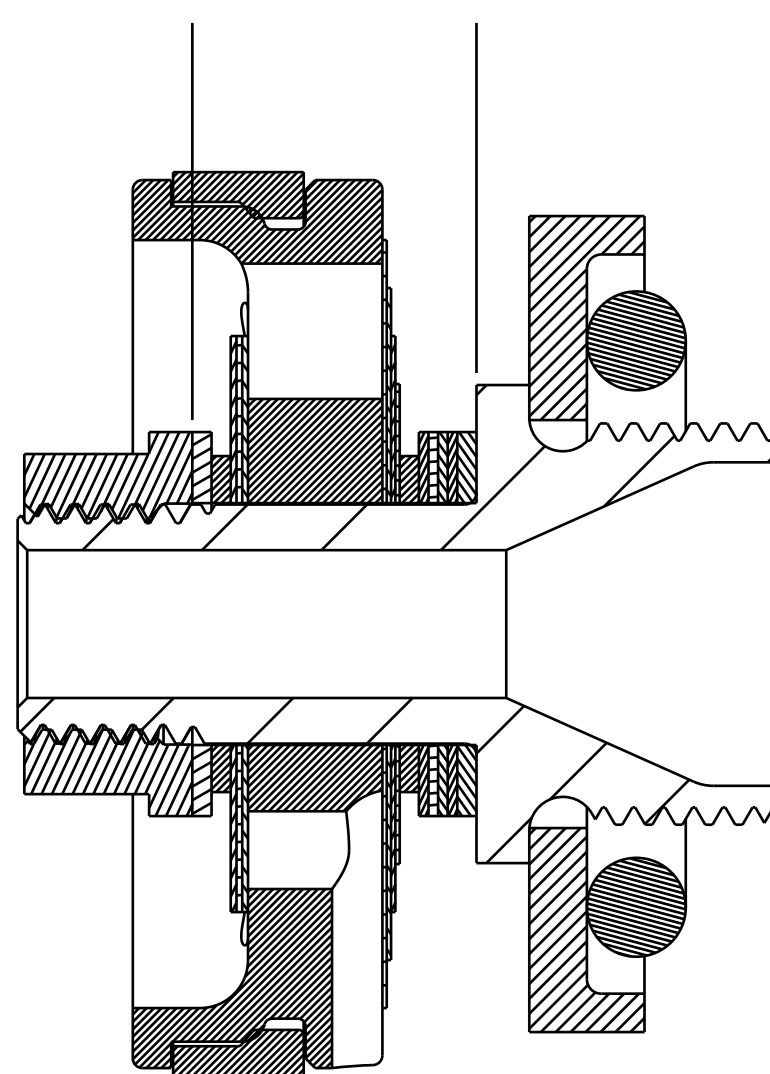
2

1

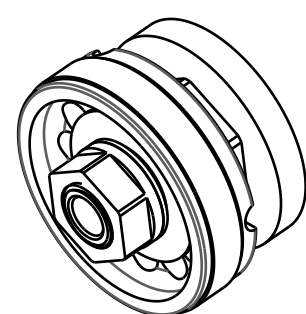
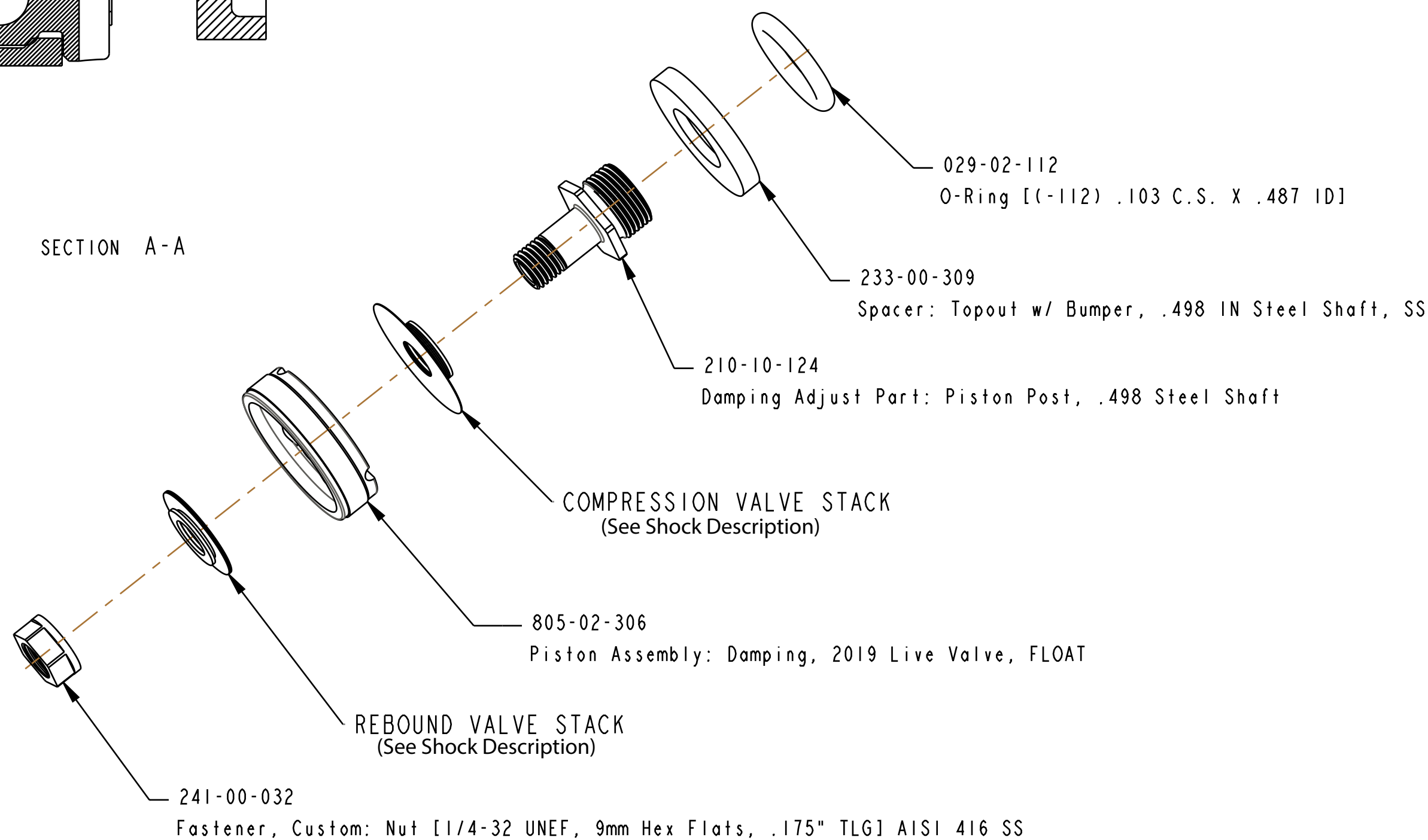


$.296^{+.005}$
 $-.010$
 $[7.52^{+0.12}$
 $-0.25]$

SCALE 5:1



SECTION A-A



FOX **FOX Factory, Inc.** Ph 831-768-1100
 130 Hangar Way, Watsonville, CA 95076 USA Fax 831-768-9312

TITLE
Valving Assy: 2019 Float LIVE Valve, Main Piston, Complete Assy

SIZE DWG. NO.
C 807-72-248-KIT

PLOT SCALE 1.5 SHEET 1 OF 1

PROPRIETARY
 THIS DOCUMENT CONTAINS CONFIDENTIAL, PROPRIETARY INFORMATION
 THAT IS FOX PROPERTY. DO NOT DISCLOSE TO OR DUPLICATE
 FOR OTHERS EXCEPT AS AUTHORIZED BY FOX.

4

3

2

ProE ASSEM