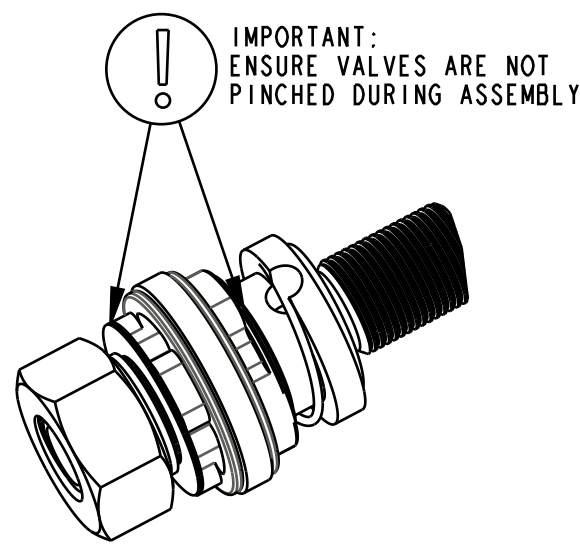


4

3

2

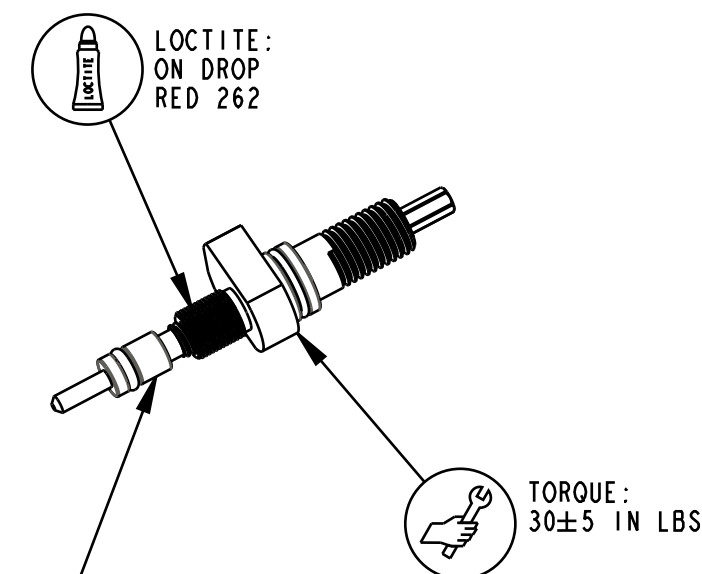
1



DETAIL A
SCALE 2.000

820-03-569-KIT
Sealhead Assy, 2019 FIT [8mm, M17.56] Trelleborg, O-Ring

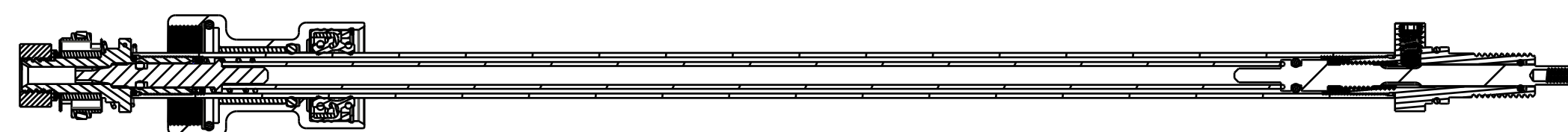
204-74-035
Rebound Tube: (T) Machined, 2019 FIT4, 8mm, 32 SC



820-03-562-KIT
2019 34 SC FIT4 Rebound Adjuster Assy, 8mm Shaft

GREASE:
THIN LAYER SLICK
HONEY ON BULLET TOOL

229-10-631
(T) Shaft, Damper, 8mm, 2019 FIT4, SC 32



210-24-362
Needle, Rebound, 2019 FIT4, 8mm

039-00-431
Spring: [0.688 TLG X 0.150 ID X 22.0 lbs/in] Stainless Steel

029-08-026
Seals: O-Ring [2.0 MM ID x 1.5 MM CS] Metric, N-60, Static

SEE DETAIL A

GREASE:
THIN LAYER
SLICK HONEY

TORQUE:
30±5 IN LBS

820-03-563-KIT
2019 SC FIT4 Rebound Piston Assy, 8mm Shaft

- PROPRIETARY -
THIS DOCUMENT CONTAINS CONFIDENTIAL, PROPRIETARY INFORMATION
THAT IS FOX PROPERTY. DO NOT DISCLOSE TO OR DUPLICATE
FOR OTHERS EXCEPT AS AUTHORIZED BY FOX.

		FOX Factory, Inc.	Ph 831-768-1100
		130 Hangar Way, Watsonville, CA 95076 USA	Fax 831-768-9312
TITLE 2019 32 SC 27.5in and 29in 100 Max FIT4 Damper Shaft Assy, 8mm Shaft			
SIZE	DWG. NO.	820-03-574-KIT	
C			
PLOT SCALE .00:1		SHEET OF 1	