

4

3

2

1

D

D

C

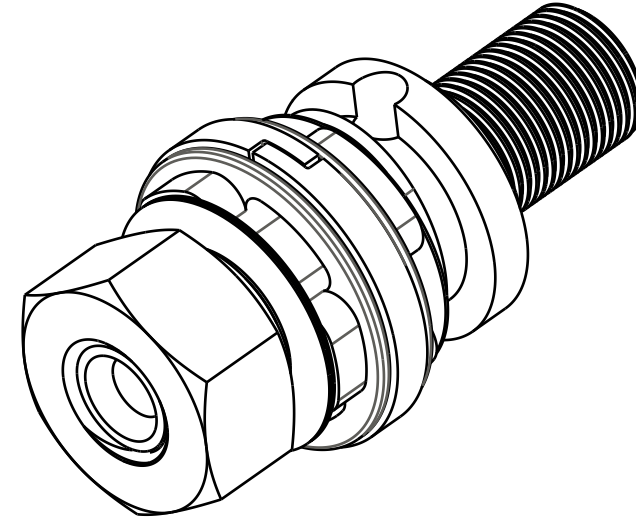
C

B

B

A

A



Seals: O-Ring [5.0MM ID x 1.0MM CS] Metric, N-70, Static

210-24-361
Shaft Stud, Rebound, 2019 FIT4, 8mm

029-08-046

IMPORTANT:
ORIENT SPRING SO CLOSED
END FACES SHAFT STUD

GREASE:
THIN LAYER
OF SLICK HONEY

002-02-011
Glide Ring, 04 Slim R_RL_RLC_X

Piston: Rebound, Kidney, 35/65 Flow

039-00-120
Spring: Rebound Check, 09 36_40

045-00-035
Valve: Metric [13.0mm OD X 8.1mm ID X 0.15mm TH]

044-20-035
Valve: [.350 OD X .252 ID X .020 TH]

044-20-035
Valve: [.350 OD X .252 ID X .020 TH]

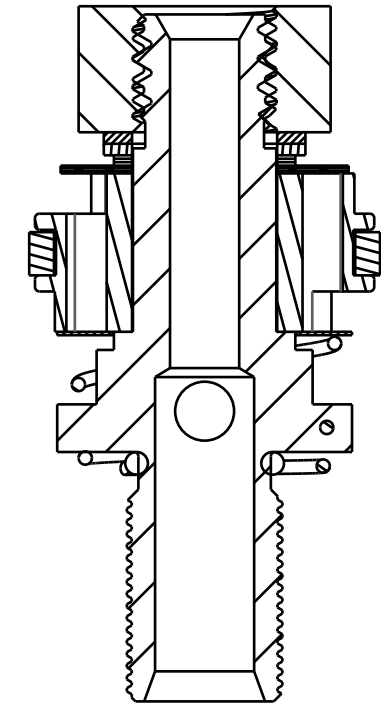
IMPORTANT:
NOTE PISTON
ORIENTATION

044-04-050
Valve: [.500 OD X .252 ID X .0045 TH]

045-00-149
Valve: Metric [8.0mm OD X 6.40mm ID X 0.152mm TH]

TORQUE:
HAND TIGHT

018-00-061
Fastener, Standard: Nut [1/4-20 X 7/32 TLG] 6061 Aluminum



PROPRIETARY
THIS DOCUMENT CONTAINS CONFIDENTIAL, PROPRIETARY INFORMATION
THAT IS FOX PROPERTY. DO NOT DISCLOSE TO OR DUPLICATE
FOR OTHERS EXCEPT AS AUTHORIZED BY FOX.

FOX **FOX Factory, Inc.** Ph 831-768-1100
130 Hangar Way, Watsonville, CA 95076 USA Fax 831-768-9312

TITLE
2019 SC FIT4 Rebound
Piston Assy, 8mm Shaft

SIZE DWG. NO. **820-03-563-KIT**

PLOT SCALE 3.00:1 SHEET 1 OF 1

4

3

2

1

ProE ASSEM