

4

3

2

1



SEE DETAIL A

SECTION A-A
SCALE 1:2

IMPORTANT:
NOTE SEAL ORIENTATION

Fastener, Standard: Screw [#8-32 X 0.250 TLG]

TORQUE:
50±5
(IN-LB)

LOCTITE:
BLUE 243, ONE DROP
APPLY PER 605-14-175

TORQUE:
5.0±0.5 IN.LB.

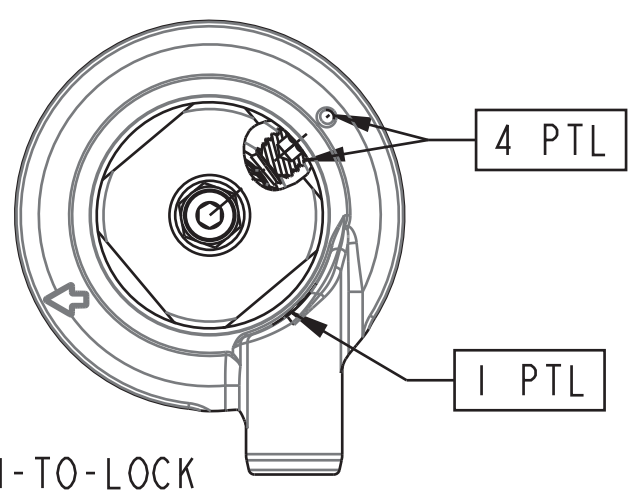
REBOUND KNOBS:
210-22-726: Knob, Rebound Adjust, Extruded, Red, Grip
210-24-032: Knob, Rebound Adjust, Grip Extruded, Red, 29

241-00-005
Fastener, Custom: Nut, Bottom, R_RL_RLC

BASE STUD INTERFACE PARTS:
820-05-374-KIT: 2017 Grip Bottom Stud Interface Parts
820-05-326-KIT: 2017 34 29in Grip Bottom Stud Interface Parts

241-01-002-C
Fastener, Custom: Crush Washer, Plastic, R_RL_RLC

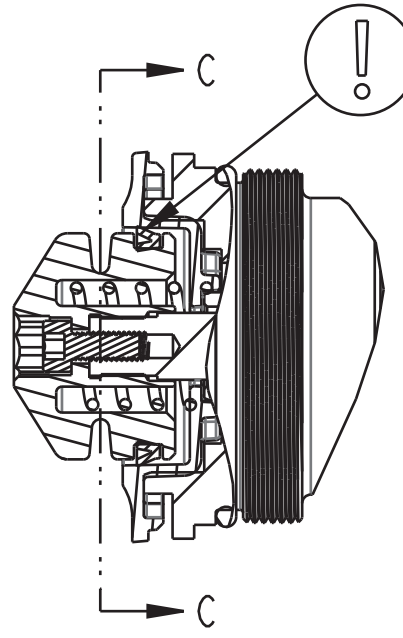
REFERENCE ONLY
(FOR INSTALLATION
INTO FORK)



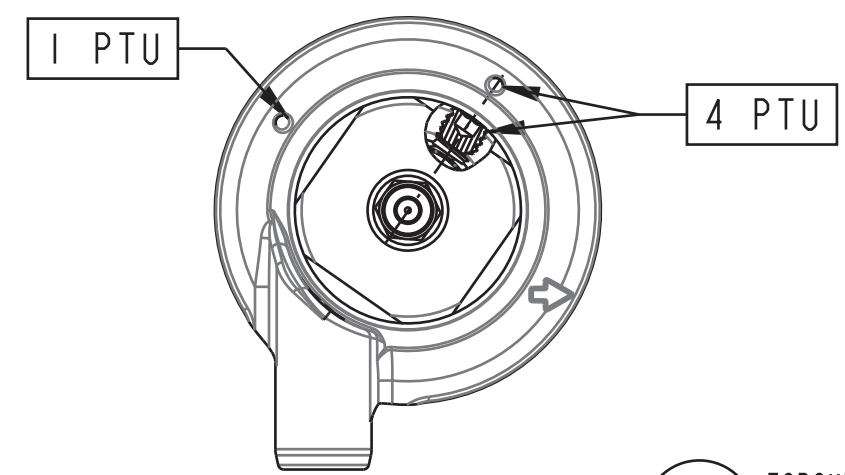
PUSH-TO-LOCK
SECTION C-C

4 PTL

1 PTL



DETAIL A
SCALE 3:2



PUSH-TO-UNLOCK
SECTION C-C
SCALE 3:2

4 PTU

1 PTU

TORQUE: PUSH-TO-LOCK & PUSH-TO-UNLOCK:
NEEDLE TO 1.4 ± .15 IN-LB BEFORE
INSTALLING TOPCAP INTERFACE PARTS
(SAME TORQUE FOR CARTRIDGE DYNO)

REFERENCE ONLY
(FOR INSTALLATION
INTO FORK)

TORQUE:
220±5 IN.LB.

210-24-489
Housing, Remote, Hubless, 2020 Grip PTL, Plastic

820-05-611-KIT
2020 Grip Push-Lock Remote, Topcap Interface Parts

039-00-521
Spring: Torsion, Remote, 2020 Grip PTL, LH Wound

GREASE:
THIN LAYER BLUE MARINE GREASE
ID AND OD

036-01-044
Seals: U-Cup, Shore 70A, 2013 CTD-ADJ, Remote Fit-CTD and Remote O/C-CTD

019-01-140
Fastener: Custom (Metric): Set Screw [M4 x .7mm x 3mm] SST, Patchlock

210-24-484
Cable Pulley Remote, 2020 GRIP

019-01-148
Fastener Standard (Metric): Screw [M2.5X8mm] Socket Head Cap, SS

PROPRIETARY -
THIS DOCUMENT CONTAINS CONFIDENTIAL, PROPRIETARY INFORMATION
THAT IS FOX PROPERTY. DO NOT DISCLOSE TO OR DUPLICATE
FOR OTHERS EXCEPT AS AUTHORIZED BY FOX.

FOX FOX Factory, Inc. Ph 831-768-1100
130 Hangar Way, Watsonville, CA 95076 USA Fax 831-768-9312

TITLE
2020 34 Rhythm 130-150 Grip Remote PTL Cart Assys Complete

SIZE DWG. NO.
C
PLOT SCALE ~1:1 SHEET 1 OF 1

4

3

2

1

ProE ASSEM