

4

3

2

1

D

D

C

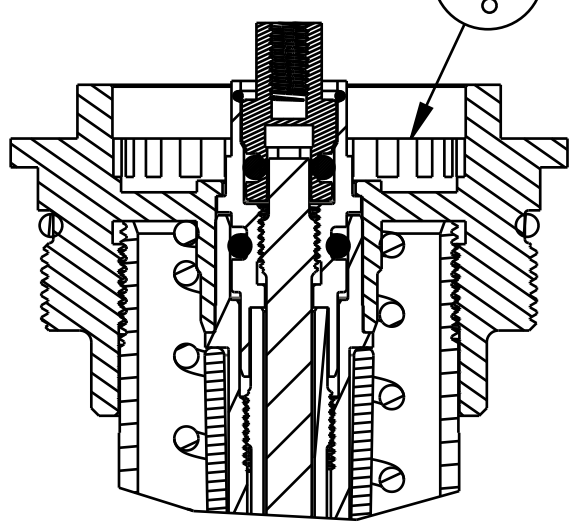
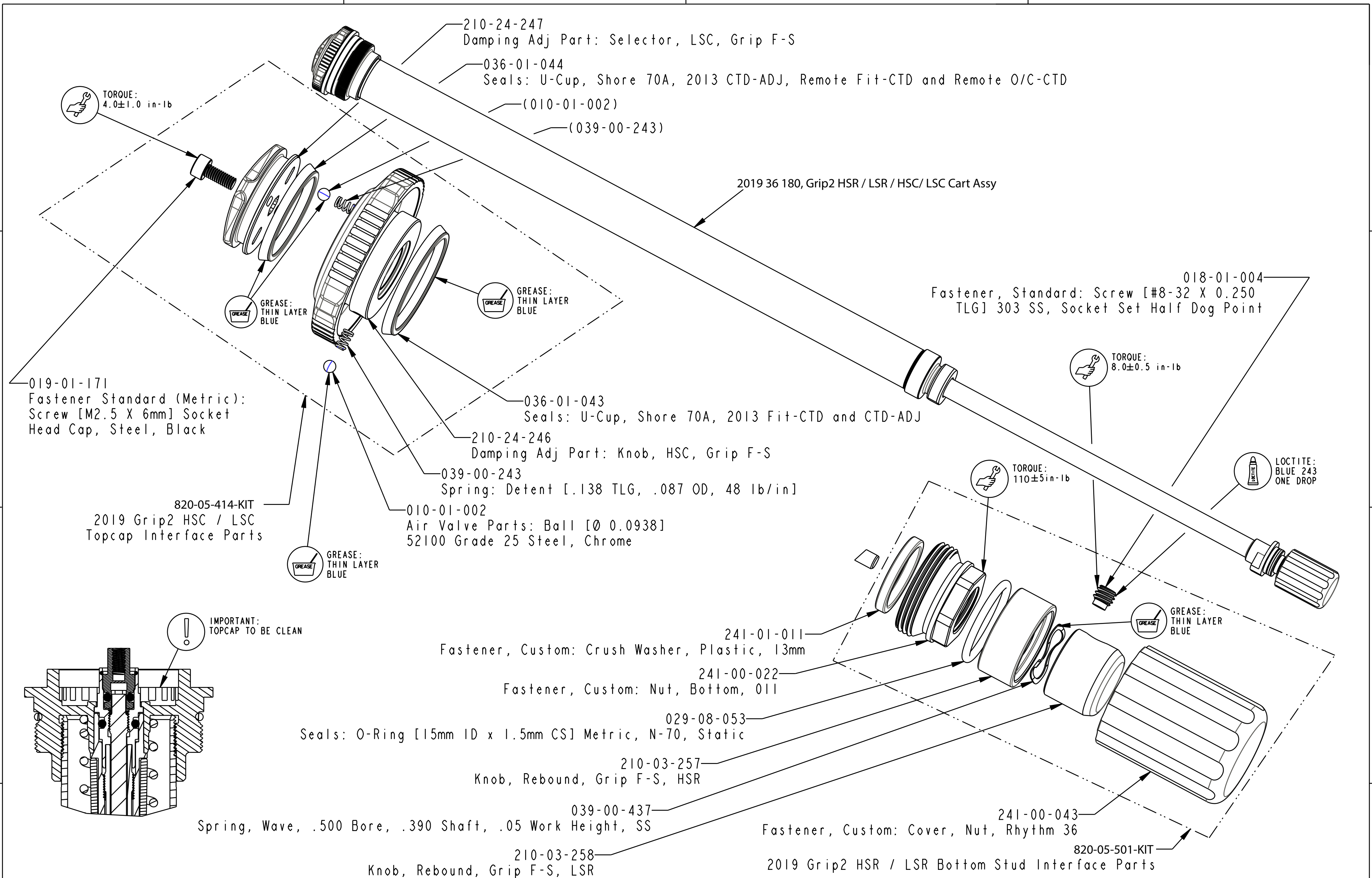
C

B

B

A

A



PROPRIETARY  
THIS DOCUMENT CONTAINS CONFIDENTIAL, PROPRIETARY INFORMATION  
THAT IS FOX PROPERTY. DO NOT DISCLOSE TO OR DUPLICATE  
FOR OTHERS EXCEPT AS AUTHORIZED BY FOX.

**FOX** **FOX Factory, Inc.** Ph 831-768-1100  
130 Hangar Way, Watsonville, CA 95076 USA Fax 831-768-9312

TITLE **2019 36 180, Grip2 HSR / LSR / HSC / LSC Cart Assy Complete**

SIZE DWG. NO. **C 820-08-379-KIT**

PLOT SCALE 1:1.333 SHEET 1 OF 1

4

3

2

ProE ASSEM