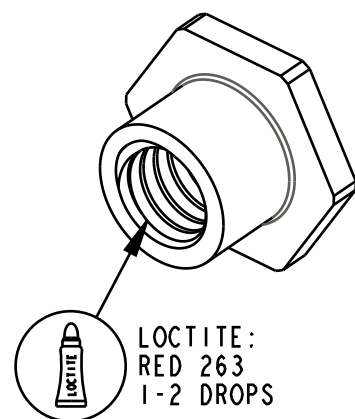


4

3

2

1



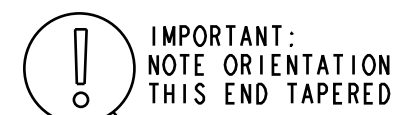
DETAIL Y
SCALE 4:1

- 019-02-025 Fastener, Standard (Metric), Nut, M6 x .75
- 241-02-106 Fastener, Custom: Bolt Piston Comp Grip
- 039-00-349 Spring: [0.200 TLG X .400 ID X 0.50 lbs/in] Stainless Steel
- 045-00-151 Valve: Metric [8.00mm OD X 5.55mm ID X 0.25mm THK] Custom, Check
- 222-01-295 Piston Damping Comp 20.0 Bore
- 029-08-196 Seals: O-Ring [16.0mm ID X 2.0mm CS] Metric, N-70, Dynamic
- 029-03-011 O-Ring (-011) [.070 C.S. X .301 ID]
- 223-00-049 Piston Floating: IFP, Grip
- 029-08-188 O-Ring [17mm ID X 1.5mm CS], N-90, Static
- 820-03-331-KIT 2017 Grip Compression Valving
- 029-08-084 Seals: O-Ring [8mm ID X 1.5mm CS] Metric, N-70, Static
- 210-22-957 Damping Adj Part: Hat Preload Comp

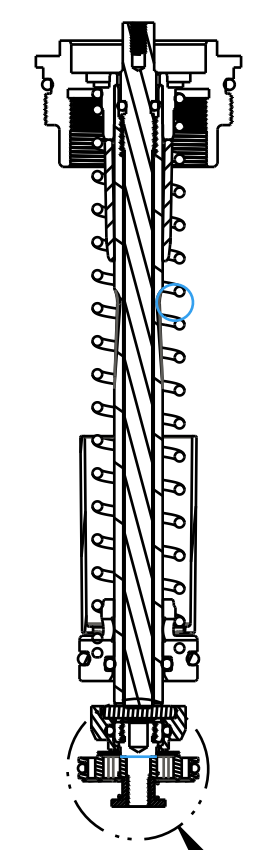
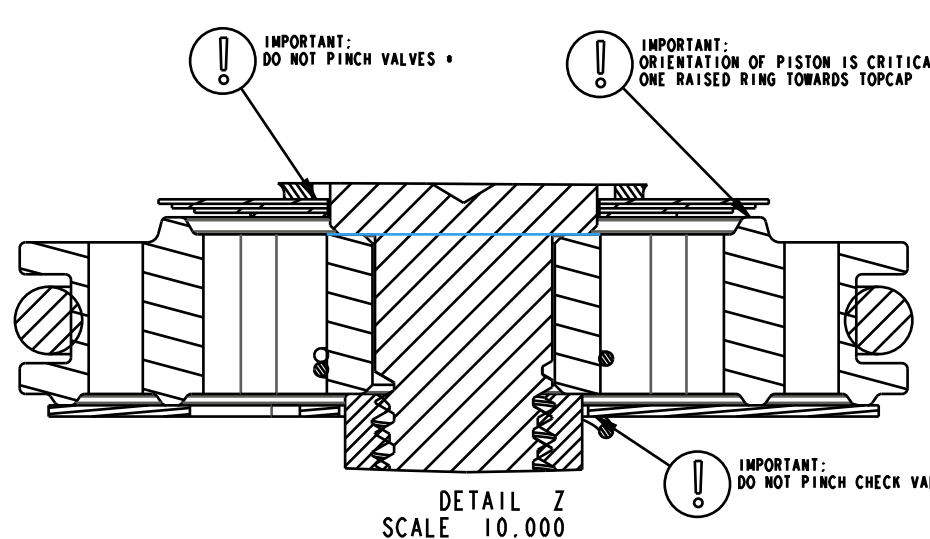


029-08-108
Seals: O-Ring [4.0mm ID x 1.5mm CS] Metric, N-70, Static

- 231-00-026 Sleeve: Isolator, Spring, OD, Grip
- 019-01-116 Fastener Standard (Metric): PIN SS 2 X 12
- 229-10-650 Shaft, Damper, Comp, 8mm, Grip, 36 180 Max
- 210-03-256 Damping Adjust Part: Needle, Comp, Grip, 36 180 Max



- 039-00-435 Spring, Piston, Floating, Grip 180
- 231-00-025 Sleeve: Isolator, Spring, ID, Grip
- 029-08-178 Seals: O-Ring [30.0mm X 1.5mm CS] Metric, N-70, Static
- Damping Adj Part: Topcap 36 2018 Grip, Black Ano



SEE DETAIL Z

PROPRIETARY
THIS DOCUMENT CONTAINS CONFIDENTIAL, PROPRIETARY INFORMATION
THAT IS FOX PROPERTY. DO NOT DISCLOSE TO OR DUPLICATE
FOR OTHERS EXCEPT AS AUTHORIZED BY FOX.

	FOX Factory, Inc. 130 Hangar Way, Watsonville, CA 95076 USA Ph 831-768-1100 Fax 831-768-9312	
	TITLE 2019 36 180 MAX, Grip Damper, Topcap Assy	
SIZE DWG. NO. C 820-05-509-KIT	SHEET 1 OF 1	
PLOT SCALE 0.80:1	ProE ASSEM	

4

3

2

1

ProE ASSEM